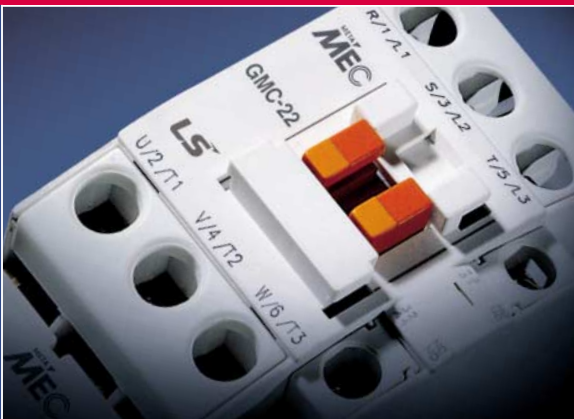


# Meta-MEC Mini Contactors 6-16A and Overload Relays



Electric Equipment



# Environmental policy and

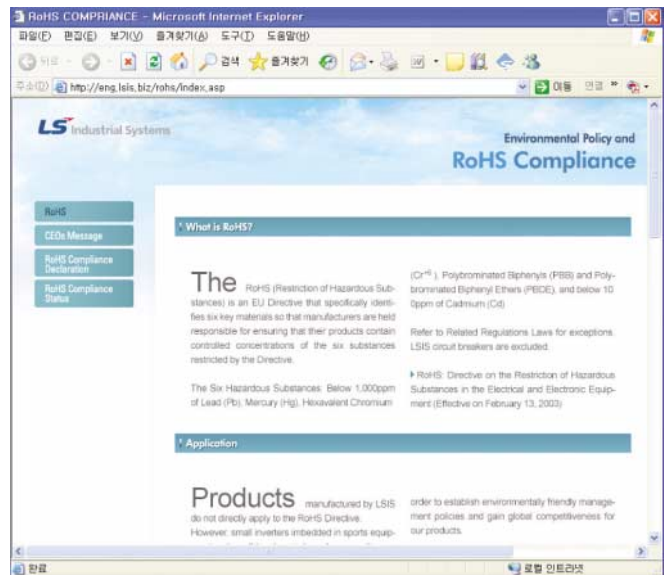
## RoHS compliance

### What is RoHS?

The RoHS is an EU Directive that specifically identifies six key materials so that manufacturers are held responsible for Ensuring that their products contain controlled concentration of the six substances restricted by the Directive.

The six Hazardous Substances : Below 1,000ppm of Lead(Pb), Mercury(Hg), Hexaval-Ent Chromium(Cr+6), Polybrominated Biphenyls(PBB) and Polybrominated Biphenyl Ether(PBDE), and below 10 Oppm of Cadmium(Cd).

▶ **RoHS : Directive on the Restriction of Hazardous Substances in the Electronic Equipment (Effective on February 13,2003)**



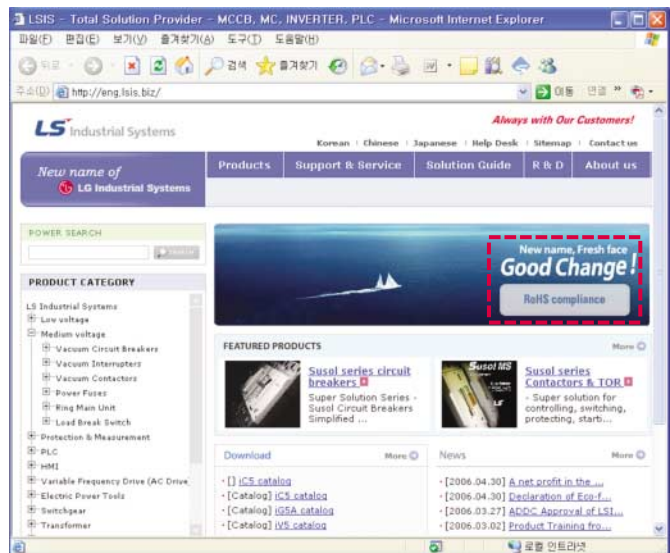
### Application

Products manufactured by LSIS do not directly apply to the RoHS Directive.

However, small inverters imbedded in sport equipment and small breakers in large home appliances can be indirectly applied to the Directive.

LSIS continues to comply with the RoHS directive in order to establish environmentally Friendly management policies and global competitiveness for our products.

According to the regulation, eight o the 10 WEEE products excluding 'medical equipment' and 'control systems' must be RoHS compliant.



# Declaration of RoHS Compliance

LS Industrial System Co.,Ltd  
 Yonsei Jaedan Severance Bldg.,84-11, Namdaemunno 5-ga,  
 Jung-gu, Seoul. 100-733, Korea (Manufacturer)

Do hereby confirm that

With relevance of the EU Directive 2002/95/EC of 27 January 2003 on the Restriction of the use of certain Hazardous Substances in electrical and electronic equipment –RoHS , our listed products do not contain any of the following banned substances listed below :

Lead  
 Mercury  
 Cadmium  
 Hexavalent Chromium  
 Polybrominated Biphenyls (PBB)  
 Polybrominated Diphenyl Ethers (PBDE)

The following products sold as of July 1, 2006 will be RoHS compliant.

## Products Note)

Molded Case Circuit Breaker (MCCB)  
 Earth Leakage Circuit Breaker (ELCB)  
 Magnetic Switch (MC,TOR)  
 Manual Motor Starter (MMS)  
 Protection & Measurement device  
 Programmable Logic Controller (PLC)  
 Variable Frequency Drive ( AC Driver)

**Note)** Please visit [www.lsis.biz](http://www.lsis.biz) and see "RoHS Compliance" menu to verify the specification of each product's "RoHS Compliance"

Place/Date : Korea/ April 4, 2006

**LS Industrial Systems**

President & CEO **Chung-Man KIM**



# Mini contactors

## Mini contactors providing various connections and Accessories

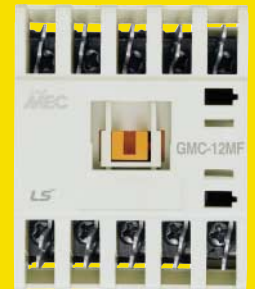
### Ratings

Frame size	AC3 ratings (IEC60947-4)				AC1 rating Ith
	220 ~ 240V	280 ~ 440V	500 ~ 550V	690V	
6A	1.5kW	2.2kW	3kW	3kW	20A
	7A	6A	5A	4A	
9A	2.2kW	4kW	3.7kW	4kW	20A
	9A	9A	6A	5A	
12A	3kW	5.5kW	4kW	4kW	20A
	12A	12A	7A	5A	
16A	4kW	7.5kW	5.5kW	4kW	20A
	15A	16A	9A	5A	

### Screw clamps



### Fast-on



For conventional  
screw connections

For fast-on  
connections



Mini-overload relay



Overload relay  
separately mounted

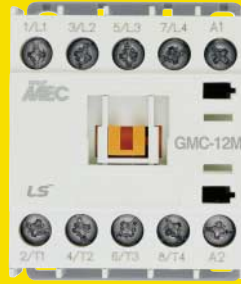


Reversing contactor

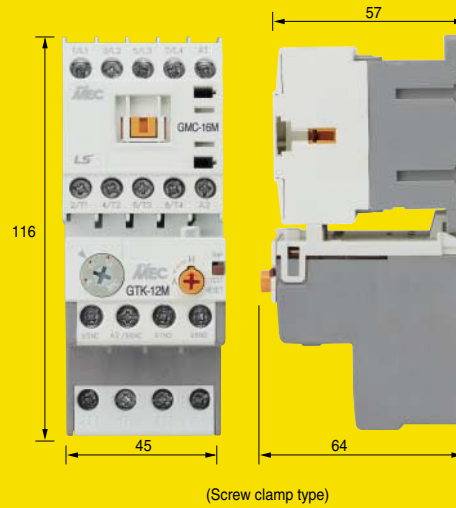
### Cage clamps



### Solder pins



### Dimensions, mm



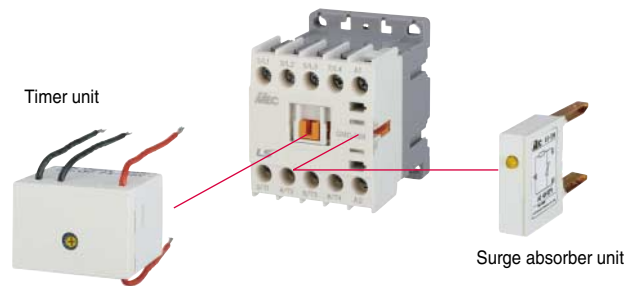
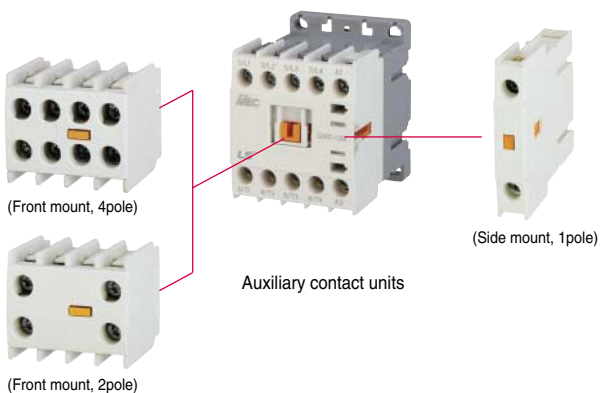
(Screw clamp type)



For screwless connections

















To mount on printed circuit boards





# Quick selection table

## Mini contactors & overloads

Mini contactors									
3NO main contacts 1 auxiliary contacts		<b>Screw clamp type</b>	<b>Fast-on type</b>	<b>Cage clamp type</b>	<b>Solder pin type</b>				
Frame size		6A		9A		12A		16A	
Screw clamp type	AC coil	<b>GMC-6M</b>	<b>GMC-9M</b>	<b>GMC-12M</b>	<b>GMC-16M</b>				
	DC coil	<b>GMD-6M</b>	<b>GMD-9M</b>	<b>GMD-12M</b>	<b>GMD-16M</b>				
Fast-on type	AC coil	<b>GMC-6MF</b>	<b>GMC-9MF</b>	<b>GMC-12MF</b>	<b>GMC-16MF</b>				
	DC coil	<b>GMD-6MF</b>	<b>GMD-9MF</b>	<b>GMD-12MF</b>	<b>GMD-16MF</b>				
Cage clamp type	AC coil	<b>GMC-6MC</b>	<b>GMC-9MC</b>	<b>GMC-12MC</b>	<b>GMC-16MC</b>				
	DC coil	<b>GMD-6MC</b>	<b>GMD-9MC</b>	<b>GMD-12MC</b>	<b>GMD-16MC</b>				
Solder pin type	AC coil	<b>GMC-6MP</b>	<b>GMC-9MP</b>	<b>GMC-12MP</b>	<b>GMC-16MP</b>				
	DC coil	<b>GMD-6MP</b>	<b>GMD-9MP</b>	<b>GMD-12MP</b>	<b>GMD-16MP</b>				
Ratings / IEC60947-4		kW	A	kW	A	kW	A	kW	A
AC1		<b>20</b>		<b>20</b>		<b>20</b>		<b>20</b>	
AC3	200/240V	1.5	7	2.2	9	3	12	4	15
	<b>380/440V</b>	<b>2.2</b>	<b>6</b>	<b>4</b>	<b>9</b>	<b>5.5</b>	<b>12</b>	<b>7.5</b>	<b>16</b>
	500/550V	3	5	3.7	6	4	7	5.5	9
	690V	3	4	4	5	4	5	4	5
Ratings / UL508		hp	A	hp	A	hp	A	hp	A
continuous current		lth = 20A (maximum for cage clamp type is 10A)							
single phase	120V	1/2		1/2		1 *		-	
	230V/240V	1		1.5		2 **		-	
three phase	240V	1.5		3		3		-	
	480V	3		5		7.5 ***		-	
	600V	3		5		7.5		-	
Wire Range : Copper, 75°C, Stranded, 18-12AWG									
NEMA size		00		00		00		0	
Additional auxiliary contacts		Screw clamp type		Fast-on type		Cage clamp type		Solder pin type	
See page 110 for more details	2-pole, Front mount								
	4-pole, Front mount								
	2-pole, Side mount								

Note) \* = 1/2 for cage clamp type, \*\* = 1.5hp for cage clamp type, \*\*\* = 5hp for cage clamp type  
16AF : not approved from UL

## Overload Relays

<b>Bimetallic style</b> <b>Type GT</b> <b>Class 10A</b>		<b>Setting ranges (A)</b> 0.1 - 0.16 0.16 - 0.25 0.25 - 0.4 0.4 - 0.63 0.63 - 1 1 - 1.6 1.6 - 2.5 2.5 - 4	4 - 6 5 - 8 6 - 9 7 - 10 9 - 13 12 - 16		Base for separate mount <a href="#">See page 87 for more details</a>
	Differential	GTK-12M			
	Non-differential (3-heater)	GTH-12M/3			
	Non-differential (2-heater)	GTH-12M			

# Mini contactors

## AC coil

### Contactors

- For motor control
- 3 main plus 1 auxiliary contacts
- Coil voltage : AC



#### Screw clamp connection types

Frame size	AC3 ratings (IEC60947-4)				AC1 rating lth	Auxiliary contact (standard)	Type
	220 ~ 240V	380 ~ 440V	500 ~ 550V	690V			
6A	1.5kW 7A	2.2kW 6A	3kW 5A	3kW 4A	20A	1NO or 1NC	GMC-6M
9A	2.2kW 9A	4kW 9A	3.7kW 6A	4kW 5A	20A	1NO or 1NC	GMC-9M
12A	3kW 12A	5.5kW 12A	4kW 7A	4kW 5A	20A	1NO or 1NC	GMC-12M
16A	4kW 15A	7.5kW 16A	5.5kW 9A	4kW 5A	20A	1NO or 1NC	GMC-16M



#### Fast-on connection types

Frame size	AC3 ratings (IEC60947-4)				AC1 rating lth	Auxiliary contact (standard)	Type
	220 ~ 240V	380 ~ 440V	500 ~ 550V	690V			
6A	1.5kW 7A	2.2kW 6A	3kW 5A	3kW 4A	20A	1NO or 1NC	GMC-6MF
9A	2.2kW 9A	4kW 9A	3.7kW 6A	4kW 5A	20A	1NO or 1NC	GMC-9MF
12A	3kW 12A	5.5kW 12A	4kW 7A	4kW 5A	20A	1NO or 1NC	GMC-12MF
16A	4kW 15A	7.5kW 16A	5.5kW 9A	4kW 5A	20A	1NO or 1NC	GMC-16MF

#### Coil voltage, AC 50/60Hz

24, 36, 42, 48, 110, 115, 120, 127, 200 / 208, 220, 220 / 230, 230 / 240, 256, 277, 380 / 400  
400, 440, 480, 500, 550V AC

#### Performance (at 440VAC)

Frame size	6A	9A	12A	16A
Operation current	6A	9A	12A	16A
Making current	72A	108A	144A	180A
Breaking current	60A	90A	120A	150A
Operation cycle	1800 operations/hour			
Endurance	• Electrical : 1 mil. operations • Mechanical : 12 mil. operations			

Note) 16A frame is not UL listed item.

#### Coil characteristic

Coil voltage	AC
Coil consumption (W)	2
Inrush	32VA
Sealed	6VA
Closing voltage (%)	80~110
Opening voltage (%)	30~40
Closing time (ms)	10~20
Opening time (ms)	35~45

**Certificate**  
CE, ULcUL

## Contactors

- For motor control
- 3 main plus 1 auxiliary contacts
- Coil voltage : AC

### Cage clamp connection types



Frame size	AC3 ratings (IEC60947-4)				AC1 rating Ith	Auxiliary contact (standard)	Type
	220 ~ 240V	380 ~ 440V	500 ~ 550V	690V			
6A	1.5kW 7A	2.2kW 6A	3kW 5A	3kW 4A	20A	1NO or 1NC	GMC-6MC
9A	2.2kW 9A	4kW 9A	3.7kW 6A	4kW 5A	20A	1NO or 1NC	GMC-9MC
12A	3kW 12A	5.5kW 12A	4kW 7A	4kW 5A	20A	1NO or 1NC	GMC-12MC
16A	4kW 15A	7.5kW 16A	5.5kW 9A	4kW 5A	20A	1NO or 1NC	GMC-16MC

### Solder pin connection types



Frame size	AC3 ratings (IEC60947-4)				AC1 rating Ith	Auxiliary contact (standard)	Type
	220 ~ 240V	380 ~ 440V	500 ~ 550V	690V			
6A	1.5kW 7A	2.2kW 6A	3kW 5A	3kW 4A	20A	1NO or 1NC	GMC-6MP
9A	2.2kW 9A	4kW 9A	3.7kW 6A	4kW 5A	20A	1NO or 1NC	GMC-9MP
12A	3kW 12A	5.5kW 12A	4kW 7A	4kW 5A	20A	1NO or 1NC	GMC-12MP
16A	4kW 15A	7.5kW 16A	5.5kW 9A	4kW 5A	20A	1NO or 1NC	GMC-16MP

#### Coil voltage, AC 50/60Hz

24, 36, 42, 48, 110, 115, 120, 127, 200 / 208, 220, 220 / 230, 230 / 240, 256, 277, 380 / 400, 400, 440, 480, 500, 550V AC

#### Ordering information

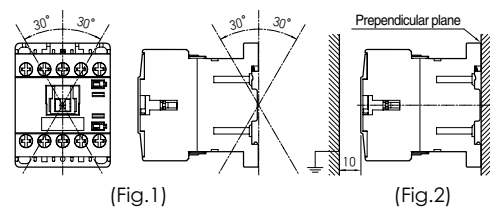
Type, Auxiliary contact and Coil voltage

#### For more information

- Drawings → page GH
- Reversing contactors → page 12
- Overload relays → page 18
- Optional accessories → page 19-22

**Certificate**  
CE, ULcUL

**Caution**



\*Even installing direction takes the direction of Fig.1 to perpendicular, up to the direction of the 30°. Keep the distance more than 10mm with arc space shown Fig.2



# Mini contactors

## DC coil

### Contactors

- For motor control
- 3 main plus 1 auxiliary contacts
- Coil voltage : DC

#### Screw clamp connection types



Frame size	AC3 ratings (IEC60947-4)				AC1 rating lth	Auxiliary contact (standard)	Type
	220 ~ 240V	380 ~ 440V	500 ~ 550V	690V			
6A	1.5kW 7A	2.2kW 6A	3kW 5A	3kW 4A	20A	1NO or 1NC	GMD-6M
9A	2.2kW 9A	4kW 9A	3.7kW 6A	4kW 5A	20A	1NO or 1NC	GMD-9M
12A	3kW 12A	5.5kW 12A	4kW 7A	4kW 5A	20A	1NO or 1NC	GMD-12M
16A	4kW 15A	7.5kW 16A	5.5kW 9A	4kW 5A	20A	1NO or 1NC	GMD-16M

#### Fast-on connection types



Frame size	AC3 ratings (IEC60947-4)				AC1 rating lth	Auxiliary contact (standard)	Type
	220 ~ 240V	380 ~ 440V	500 ~ 550V	690V			
6A	1.5kW 7A	2.2kW 6A	3kW 5A	3kW 4A	20A	1NO or 1NC	GMD-6MF
9A	2.2kW 9A	4kW 9A	3.7kW 6A	4kW 5A	20A	1NO or 1NC	GMD-9MF
12A	3kW 12A	5.5kW 12A	4kW 7A	4kW 5A	20A	1NO or 1NC	GMD-12MF
16A	4kW 15A	7.5kW 16A	5.5kW 9A	4kW 5A	20A	1NO or 1NC	GMD-16MF

#### Coil voltage, DC

- ① Standard type : 12, 20, 24, 36, 42, 48, 60, 72, 110, 120, 125, 220, 240, 250V DC
- ② Low consumption type : 12, 20, 24, 48, 72, 110, 120V DC(Low)
- ③ Wide Voltage : 12, 20, 24, 48, 72, 110, 12V DC(Wide)

#### Ordering information

Type, Auxiliary contact and Coil voltage

#### Coil characteristic

Coil voltage	DC		
	Standard	Low consumption	Wide voltage
Coil consumption (W)	3	1.2	2
Inrush	3W	1.2W	2W
Sealed	3W	1.2W	2W
Closing voltage (%)	80~110	80~125	70~125
Opening voltage (%)	10~30	10~30	10~30
Closing time (ms)	40~50	40~50	40~50
Opening time (ms)	35~45	35~45	35~45

**Certificate**  
CE, ULcUL

## Contactors

- For motor control
- 3 main plus 1 auxiliary contacts
- Coil voltage : DC



### Cage clamp connection types

Frame size	AC3 ratings (IEC60947-4)				AC1 rating Ith	Auxiliary contact (standard)	Type
	220 ~ 240V	380 ~ 440V	500 ~ 550V	690V			
6A	1.5kW 7A	2.2kW 6A	3kW 5A	3kW 4A	20A	1NO or 1NC	GMD-6MC
9A	2.2kW 9A	4kW 9A	3.7kW 6A	4kW 5A	20A	1NO or 1NC	GMD-9MC
12A	3kW 12A	5.5kW 12A	4kW 7A	4kW 5A	20A	1NO or 1NC	GMD-12MC
16A	4kW 15A	7.5kW 16A	5.5kW 9A	4kW 5A	20A	1NO or 1NC	GMD-16MC

### Solder pin connection types



Frame size	AC3 ratings (IEC60947-4)				AC1 rating Ith	Auxiliary contact (standard)	Type
	220 ~ 240V	380 ~ 440V	500 ~ 550V	690V			
6A	1.5kW 7A	2.2kW 6A	3kW 5A	3kW 4A	20A	1NO or 1NC	GMD-6MP
9A	2.2kW 9A	4kW 9A	3.7kW 6A	4kW 5A	20A	1NO or 1NC	GMD-9MP
12A	3kW 12A	5.5kW 12A	4kW 7A	4kW 5A	20A	1NO or 1NC	GMD-12MP
16A	4kW 15A	7.5kW 16A	5.5kW 9A	4kW 5A	20A	1NO or 1NC	GMD-16MP

### Coil voltage, DC

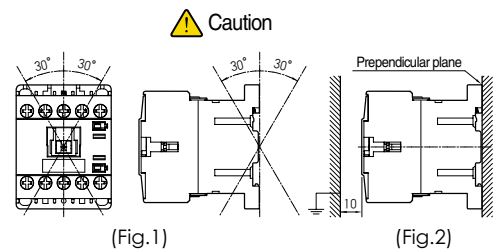
- ① Standard type : 12, 20, 24, 36, 42, 48, 60, 72, 110, 120, 125, 220, 240, 250V DC
- ② Low consumption type : 12, 20, 24, 48, 72, 110, 120V DC(Low)
- ③ Wide Voltage : 12, 20, 24, 48, 72, 110, 12V DC(Wide)

### Ordering information

Type, Auxiliary contact and Coil voltage

### For more information

- Drawings → page **GH**  
 Reversing contactors → page **13**  
 Overload relays → page **18**  
 Optional accessories → page **19-22**



\*Even installing direction takes the direction of Fig.1 to perpendicular, ip to the direction of the 30°. Keep the distance more than 10mm with arc space shown Fig.2

**Certificate**  
CE, ULcUL

# Motor starters, open

2.2kW ~ 7.5kW

## Starters

- Open types
- Direct (Full voltage) types
- Coil voltage : AC
- Contactors : screw clamp connection types
- Overload relays : differential or non-differential types



### AC coil contactor + Differential type overload relay

Devices combined		AC3 ratings (IEC60947-4)				Auxiliary contacts	Starter Type
Contactor (AC coil)	Overload (differential)	220 ~ 240V	380 ~ 440V	500 ~ 550V	690V		
GMC-6M	GTK-12M	1.5kW 7A	2.2kW 6A	3kW 5A	3kW 4A	1NO or 1NC	GMS-6M/K
GMC-9M	GTK-12M	2.2kW 9A	4kW 9A	3.7kW 6A	4kW 5A	1NO or 1NC	GMS-9M/K
GMC-12M	GTK-12M	3kW 12A	5.5kW 12A	4kW 7A	4kW 5A	1NO or 1NC	GMS-12M/K
GMC-16M	GTK-12M	4kW 15A	7.5kW 16A	5.5kW 9A	4kW 5A	1NO or 1NC	GMS-16M/K

### AC coil contactor + Non-differential type overload relay

Devices combined		AC3 ratings (IEC60947-4)				Auxiliary contacts	Starter Type
Contactor (AC coil)	Overload (Non-differential)	220 ~ 240V	380 ~ 440V	500 ~ 550V	690V		
GMC-6M	GTH-12M/3	1.5kW 7A	2.2kW 6A	3kW 5A	3kW 4A	1NO or 1NC	GMS-6M
GMC-9M	GTH-12M/3	2.2kW 9A	4kW 9A	3.7kW 6A	4kW 5A	1NO or 1NC	GMS-9M
GMC-12M	GTH-12M/3	3kW 12A	5.5kW 12A	4kW 7A	4kW 5A	1NO or 1NC	GMS-12M
GMC-16M	GTH-12M/3	4kW 15A	7.5kW 16A	5.5kW 9A	4kW 5A	1NO or 1NC	GMS-16M

#### Coil voltage, AC 50/60Hz

24, 36, 42, 48, 110, 115, 120, 127, 200 / 208, 220, 220 / 230, 230 / 240, 256, 277, 380 / 400  
400, 440, 480, 500, 550V AC

#### Ordering information

Type, Auxiliary contact and Coil voltage  
Overload relay setting range ( → page 87)

#### For more information

- Drawings → page HF
- Mini Contactors → page İ
- Mini Overload relays → page 18
- Optional accessories → page 19-22

**Certificate**  
CE, ULcUL

# Mini contactors, Reversing type

6A ~ 16A / AC coil



## Reversing contactors

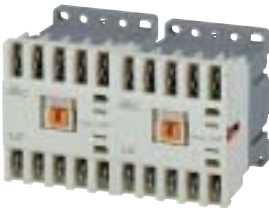
- For motor control
- Mechanically interlocked
- Coil voltage : AC

### Screw clamp connection types



Frame size	AC3 ratings (IEC60947-4)				AC1 rating Ith	Auxiliary contact (standard)	Type
	220 ~ 240V	380 ~ 440V	500 ~ 550V	690V			
6A	1.5kW 7A	2.2kW 6A	3kW 5A	3kW 4A	20A	1NO or 1NC	GMC-6MR
9A	2.2kW 9A	4kW 9A	3.7kW 6A	4kW 5A	20A	1NO or 1NC	GMC-9MR
12A	3kW 12A	5.5kW 12A	4kW 7A	4kW 5A	20A	1NO or 1NC	GMC-12MR
16A	4kW 15A	7.5kW 16A	5.5kW 9A	4kW 5A	20A	1NO or 1NC	GMC-16MR

### Fast-on connection types



Frame size	AC3 ratings (IEC60947-4)				AC1 rating Ith	Auxiliary contact (standard)	Type
	220 ~ 240V	380 ~ 440V	500 ~ 550V	690V			
6A	1.5kW 7A	2.2kW 6A	3kW 5A	3kW 4A	20A	1NO or 1NC	GMC-6MFR
9A	2.2kW 9A	4kW 9A	3.7kW 6A	4kW 5A	20A	1NO or 1NC	GMC-9MFR
12A	3kW 12A	5.5kW 12A	4kW 7A	4kW 5A	20A	1NO or 1NC	GMC-12MFR
16A	4kW 15A	7.5kW 16A	5.5kW 9A	4kW 5A	20A	1NO or 1NC	GMC-16MFR

### Coil voltage, AC 50/60Hz

24, 36, 42, 48, 110, 115, 120, 127, 200 / 208, 220, 220 / 230, 230 / 240, 256, 277, 380 / 400  
400, 440, 480, 500, 550V AC

### Ordering information

Type, Auxiliary contact and Coil voltage

### For more information

Drawings page HG  
Overload relays page F8  
Optional accessories page 19-22

**Certificate**  
CE, ULcUL

# Mini contactors, Reversing type

6A ~ 16A / AC coil

## Reversing contactors

- For motor control
- Mechanically interlocked
- Coil voltage : AC



### Cage clamp connection types

Frame size	AC3 ratings (IEC60947-4)				AC1 rating Ith	Auxiliary contact (standard)	Type
	220 ~ 240V	380 ~ 440V	500 ~ 550V	690V			
6A	1.5kW 7A	2.2kW 6A	3kW 5A	3kW 4A	20A	1NO or 1NC	GMC-6MCR
9A	2.2kW 9A	4kW 9A	3.7kW 6A	4kW 5A	20A	1NO or 1NC	GMC-9MCR
12A	3kW 12A	5.5kW 12A	4kW 7A	4kW 5A	20A	1NO or 1NC	GMC-12MCR
16A	4kW 15A	7.5kW 16A	5.5kW 9A	4kW 5A	20A	1NO or 1NC	GMC-16MCR



### Solder pin connection types

Frame size	AC3 ratings (IEC60947-4)				AC1 rating Ith	Auxiliary contact (standard)	Type
	220 ~ 240V	380 ~ 440V	500 ~ 550V	690V			
6A	1.5kW 7A	2.2kW 6A	3kW 5A	3kW 4A	20A	1NO or 1NC	GMC-6MPR
9A	2.2kW 9A	4kW 9A	3.7kW 6A	4kW 5A	20A	1NO or 1NC	GMC-9MPR
12A	3kW 12A	5.5kW 12A	4kW 7A	4kW 5A	20A	1NO or 1NC	GMC-12MPR
16A	4kW 15A	7.5kW 16A	5.5kW 9A	4kW 5A	20A	1NO or 1NC	GMC-16MPR

### Coil voltage, AC 50/60Hz

24, 36, 42, 48, 110, 115, 120, 127, 200 / 208, 220, 220 / 230, 230 / 240, 256, 277, 380 / 400  
400, 440, 480, 500, 550V AC

### Ordering information

Type, Auxiliary contact and Coil voltage

### For more information

Drawings page HG  
Overload relays page F8  
Optional accessories page 19-22

**Certificate**  
CE, ULcUL

## Reversing contactors

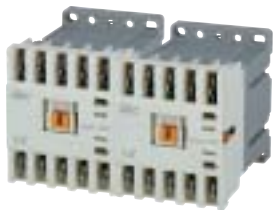
- For motor control
- Mechanically interlocked
- Coil voltage : DC

### Screw clamp connection types



Frame size	AC3 ratings (IEC60947-4)				AC1 rating Ith	Auxiliary contact (standard)	Type
	220 ~ 240V	380 ~ 440V	500 ~ 550V	690V			
6A	1.5kW 7A	2.2kW 6A	3kW 5A	3kW 4A	20A	1NO or 1NC	GMD-6MR
9A	2.2kW 9A	4kW 9A	3.7kW 6A	4kW 5A	20A	1NO or 1NC	GMD-9MR
12A	3kW 12A	5.5kW 12A	4kW 7A	4kW 5A	20A	1NO or 1NC	GMD-12MR
16A	4kW 15A	7.5kW 16A	5.5kW 9A	4kW 5A	20A	1NO or 1NC	GMD-16MR

### Fast-on connection types



Frame size	AC3 ratings (IEC60947-4)				AC1 rating Ith	Auxiliary contact (standard)	Type
	220 ~ 240V	380 ~ 440V	500 ~ 550V	690V			
6A	1.5kW 7A	2.2kW 6A	3kW 5A	3kW 4A	20A	1NO or 1NC	GMD-6MFR
9A	2.2kW 9A	4kW 9A	3.7kW 6A	4kW 5A	20A	1NO or 1NC	GMD-9MFR
12A	3kW 12A	5.5kW 12A	4kW 7A	4kW 5A	20A	1NO or 1NC	GMD-12MFR
16A	4kW 15A	7.5kW 16A	5.5kW 9A	4kW 5A	20A	1NO or 1NC	GMD-16MFR

### Coil voltage, DC

Standard type : 12, 20, 24, 36, 42, 48, 60, 72, 110, 120, 125, 220, 240, 250V DC

Low consumption type : 12, 20, 24, 48, 72, 110, 120V DC(Low)

Wide Voltage : 12, 20, 24, 48, 72, 110, 12V DC(Wide)

### Ordering information

Type, Auxiliary contact and Coil voltage

### For more information

Drawings page ' &  
 Overload relays page %  
 Optional accessories page %!&&

**Certificate**  
 CE, ULcUL

# Mini contactors, Reversing type

6A ~ 16A / DC coil

## Reversing contactors

- For motor control
- Mechanically interlocked
- Coil voltage : DC

### Cage clamp connection types



Frame size	AC3 ratings (IEC60947-4)				AC1 rating Ith	Auxiliary contact (standard)	Type
	220 ~ 240V	380 ~ 440V	500 ~ 550V	690V			
6A	1.5kW 7A	2.2kW 6A	3kW 5A	3kW 4A	20A	1NO or 1NC	GMD-6MCR
9A	2.2kW 9A	4kW 9A	3.7kW 6A	4kW 5A	20A	1NO or 1NC	GMD-9MCR
12A	3kW 12A	5.5kW 12A	4kW 7A	4kW 5A	20A	1NO or 1NC	GMD-12MCR
16A	4kW 15A	7.5kW 16A	5.5kW 9A	4kW 5A	20A	1NO or 1NC	GMD-16MCR

### Solder pin connection types



Frame size	AC3 ratings (IEC60947-4)				AC1 rating Ith	Auxiliary contact (standard)	Type
	220 ~ 240V	380 ~ 440V	500 ~ 550V	690V			
6A	1.5kW 7A	2.2kW 6A	3kW 5A	3kW 4A	20A	1NO or 1NC	GMD-6MSR
9A	2.2kW 9A	4kW 9A	3.7kW 6A	4kW 5A	20A	1NO or 1NC	GMD-9MSR
12A	3kW 12A	5.5kW 12A	4kW 7A	4kW 5A	20A	1NO or 1NC	GMD-12MSR
16A	4kW 15A	7.5kW 16A	5.5kW 9A	4kW 5A	20A	1NO or 1NC	GMD-16MSR

### Coil voltage, DC

Standard type : 12, 20, 24, 36, 42, 48, 60, 72, 110, 120, 125, 220, 240, 250V DC

Low consumption type : 12, 20, 24, 48, 72, 110, 120V DC(Low)

Wide Voltage : 12, 20, 24, 48, 72, 110, 12V DC(Wide)

### Ordering information

Type, Auxiliary contact and Coil voltage

### For more information

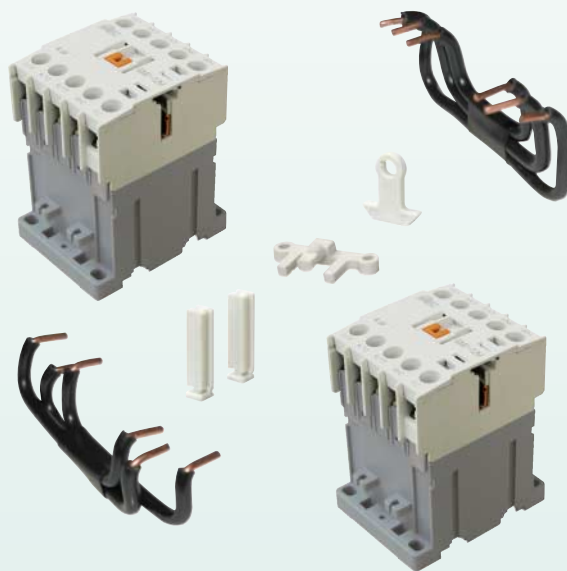
Drawings page ' &  
Overload relays page %  
Optional accessories page %!&&

**Certificate**  
CE, ULcUL

## Reversing contactors



## Interlock unit, AR-12M



### Consists of

- Mechanical interlock components
- Cable kits for line and load sides



# Mini contactors

## Contactors relays

### Description

- 4-, 6-, 8-pole units
- Finger proof design
- 16A continuous current, Ith
- 44mm wide
- DIN rail or screw mountable
- AC/DC control voltage

### Selection



Poles	Composition	Types		Remarks
		AC control	DC control	
4 pole	4NO 3NO+1NC 2NO+2NC 1NO+3NC 4NC	GMR-4M	GMR-4MD	Additional 2NO or 4NO auxiliary contact block can be mounted on these relays.
6 pole	6NO 5NO+1NC 4NO+2NC 3NO+3NC 2NO+4NC	GMR-6M	GMR-6MD	GMR-4M + AU-2M
8 pole	8NO 7NO+1NC 6NO+2NC 5NO+3NC 4NO+4NC	GMR-8M	GMR-8MD	GMR-4M + AU-4M

### Contact ratings

		Rated currents		Making/Breaking currents	
		Inductive load	Resistive load	Inductive load	Resistive load
AC duty	120V	6A	10A	66A	66A
	240V	3A	8A	33A	33A
	480V	1.5A	5A	16.5A	16.5A
	600V	2A	5A	13.2A	13.2A
DC duty	125V	1.1A	5A	3.7A	
	250V	0.55A	3A	1.8A	
	440V	0.31A	2.5A	1.4A	
	600V	0.2A	1A	0.7A	
Continuous current, Ith		16A			

### Performance

Operation cycle			1800 operations/hour	
Endurance	Mechanical lifetime		20 mil. Operations	
	Electrical lifetime	AC15 duty	220V	0.5 mil. operations
			440V	0.5 mil. operations
		AC12 duty	220V	0.25 mil. operations
			440V	0.25 mil. operations
DC13, 12 duty		24~220V	0.5 mil. operations	

#### Coil voltage, AC 50/60Hz

24, 36, 42, 48, 110, 115, 120, 127, 200 / 208, 220, 220 / 230, 230 / 240, 256, 277, 380 / 400, 400, 440, 480, 500, 550V AC

#### Coil voltage, DC

See 24 page

#### Ordering information

... Specify type, contact composition and coil voltage

#### For more information

Drawings → page 36  
Coil characteristics → page 7, 9

**Certificate**  
CE, ULcUL

# Mini overload relays

## Bimetallic style

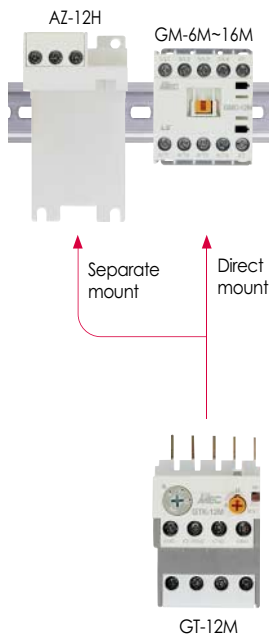


### Description

- Direct mount on the mini contactors with screw clamp connection.  
contactor types : GMC(D)-6M, GMC(D)-9M,  
GMC(D)-12M, GMC(D)-16M,
- DIN rail or screw mountable with the optional base AZ-22H
- Small physical size : 44 mm wide
- 1NO+1NC trip contacts
- Trip class 10A according to IEC60947-4-1
- Differential current/Phase failure protection : GTK types
- Non-differential GTH types are available for the economic solution
- Ambient compensated -5 to 40 °C
- Manual/Automatic reset convertible.
- Remote reset is optional
- Trip free designed



GT-12M



Separate mount

Direct mount

GT-12M

### Catalog No.

Setting ranges(A)	Differential type		Non-differential type	
	3-heater		2-heater	
0.1 - 0.16	GTK-12M • 0.14	GTH-12M/3 • 0.14	GTH-12M • 0.14	
0.16 - 0.25	GTK-12M • 0.21	GTH-12M/3 • 0.21	GTH-12M • 0.21	
0.25 - 0.4	GTK-12M • 0.33	GTH-12M/3 • 0.33	GTH-12M • 0.33	
0.4 - 0.63	GTK-12M • 0.52	GTH-12M/3 • 0.52	GTH-12M • 0.52	
0.63 - 1	GTK-12M • 0.82	GTH-12M/3 • 0.82	GTH-12M • 0.82	
1 - 1.6	GTK-12M • 1.3	GTH-12M/3 • 1.3	GTH-12M • 1.3	
1.6 - 2.5	GTK-12M • 2.1	GTH-12M/3 • 2.1	GTH-12M • 2.1	
2.5 - 4	GTK-12M • 3.3	GTH-12M/3 • 3.3	GTH-12M • 3.3	
4 - 6	GTK-12M • 5	GTH-12M/3 • 5	GTH-12M • 5	
5 - 8	GTK-12M • 6.5	GTH-12M/3 • 6.5	GTH-12M • 6.5	
6 - 9	GTK-12M • 7.5	GTH-12M/3 • 7.5	GTH-12M • 7.5	
7 - 10	GTK-12M • 8.5	GTH-12M/3 • 8.5	GTH-12M • 8.5	
9 - 13	GTK-12M • 12	GTH-12M/3 • 12	GTH-12M • 12	
12 - 16	GTK-12M • 14	GTH-12M/3 • 14	GTH-12M • 14	

### Auxiliary (Trip) contact rating

AC15(11) duty			DC13(11) duty	
110V	220V	550V	110V	220V
2.5(0.3)A	2(0.3)A	1(0.3)A	0.28A	0.14A

Note) Values of ( ) are the ratings of NO contact under auto reset mode.

### For more information

- Drawings → page 30
- Mini Contactors → page 7-10
- Starters → page 11
- Separate mounting unit → page 22



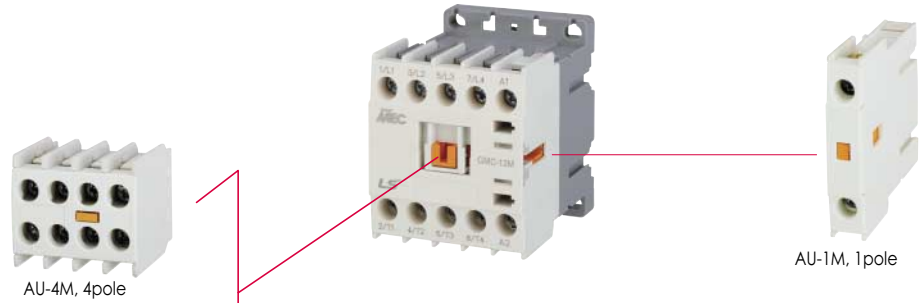
# Accessories for mini contactors

## Auxiliary contact

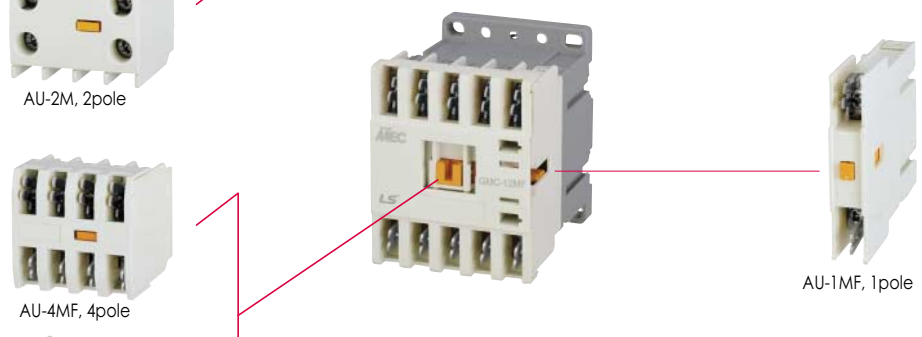
### Front mount blocks

### Side mount blocks

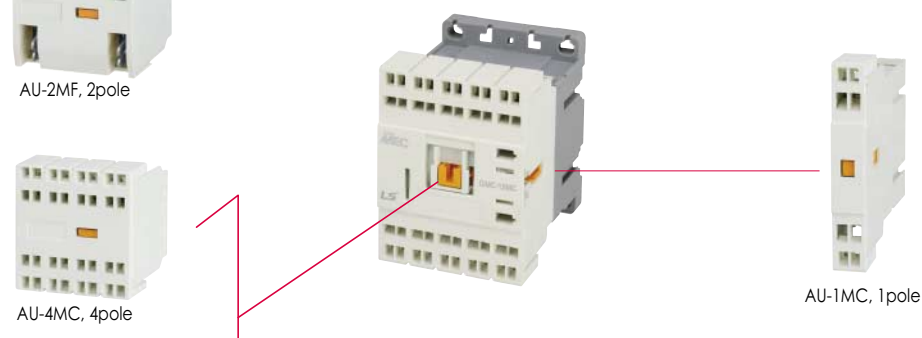
#### Screw clamp connection



#### Fast-on connection



#### Cage clamp connection



#### Solder pin connection



### Catalog No.

Connection type	Applying contactors	Mounting type	Composition	Catalog no.			
<b>Screw clamp</b>	GMC-, GMD-, GMS- 6M, 6MR 9M, 9MR 12M, 12MR 16M, 16MR	Front mount	2NO	AU-2M20			
			2NC	AU-2M02			
			1NO+1NC	AU-2M11			
			4NO	AU-4M40			
			3NO+1NC	AU-4M31			
			2NO+2NC	AU-4M22			
			1NO+3NC	AU-4M13			
			4NC	AU-4M04			
		Side mount	1NO	AU-1M10			
			1NC	AU-1M01			
			<b>Fast-on</b>	GMC-, GMD-, GMS- 6MF, 6MRF 9MF, 9MRF 12MF, 12MRF 16MF, 16MRF	Front mount	2NO	AU-2MF20
						2NC	AU-2MF02
						1NO+1NC	AU-2MF11
						4NO	AU-4MF40
3NO+1NC	AU-4MF31						
2NO+2NC	AU-4MF22						
1NO+3NC	AU-4MF13						
4NC	AU-4MF04						
Side mount	1NO	AU-1MF10					
	1NC	AU-1MF01					
	<b>Cage clamp</b>	GMC-, GMD-, GMS- 6MC, 6MRC 9MC, 9MRC 12MC, 12MRC 16MC, 16MRC			Front mount	2NO	AU-2MC20
						2NC	AU-2MC02
						1NO+1NC	AU-2MC11
						4NO	AU-4MC40
3NO+1NC			AU-4MC31				
2NO+2NC			AU-4MC22				
1NO+3NC			AU-4MC13				
4NC			AU-4MC04				
Side mount			1NO	AU-1MC10			
			1NC	AU-1MC01			
			<b>Solder pin</b>	GMC-, GMD-, GMS- 6MP, 6MRP 9MP, 9MRP 12MP, 12MRP 16MP, 16MRP	Side mount	1NO	AU-1MP10
						1NC	AU-1MP01

# Accessories for mini contactors

## Timer unit, AT-12M

- Electronic type
- ON/OFF time delay
- Front mount

Timer unit



Surge absorber unit



## Electronic Timer

Type	Control voltage	Delay	Time	Applied contactors
AT-12M / IN	AC/DC 24~48V	ON	0.1~30s	GMC-6M~16M GMD-6M~16M
AT-12M / IF	AC/DC 24~48V	OFF	0.1~30s	GMC-6M~16M GMD-6M~16M
AT-12M / 2N	AC 100~220V	ON	0.1~30s	GMC-6M~16M GMD-6M~16M
AT-12M / 2F	AC 100~220V	OFF	0.1~30s	GMC-6M~16M GMD-6M~16M

## Surge absorber unit, AS-12M

- Coil surge suppressor

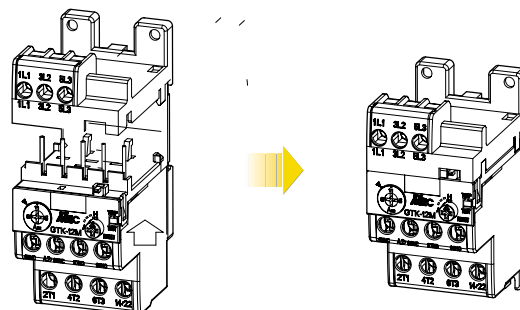


## Surge absorber unit

Type	Internal element	Operational voltage	Applied contactors
AS-12M / 1	Varistor	AC24~48V	GMC-6M~16M
AS-12M / 2		AC60~127V	
AS-12M / 3		AC200~240V	
AS-12M / 4		DC12~24V	GMD-6M~16M
AS-12M / 5		DC30~72V	
AS-12M / 6		DC100~127V	
AS-12M / 7		DC200~250V	

## Separate mounting unit, AZ-12MH

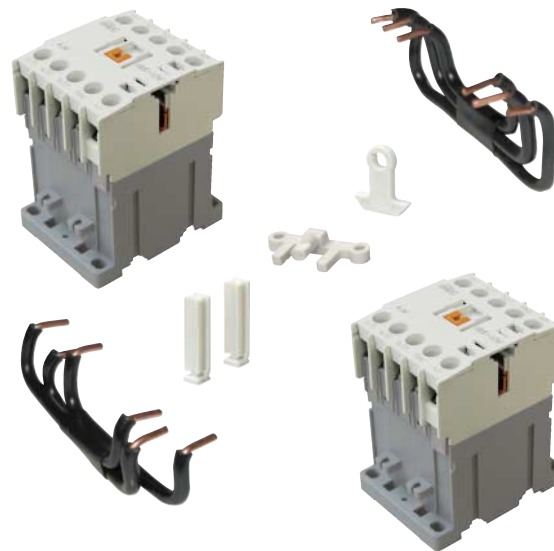
- To mount a relay separately from a contactor
- Mountable on DIN rail or by screw fixing



## Interlock unit, AR-12M

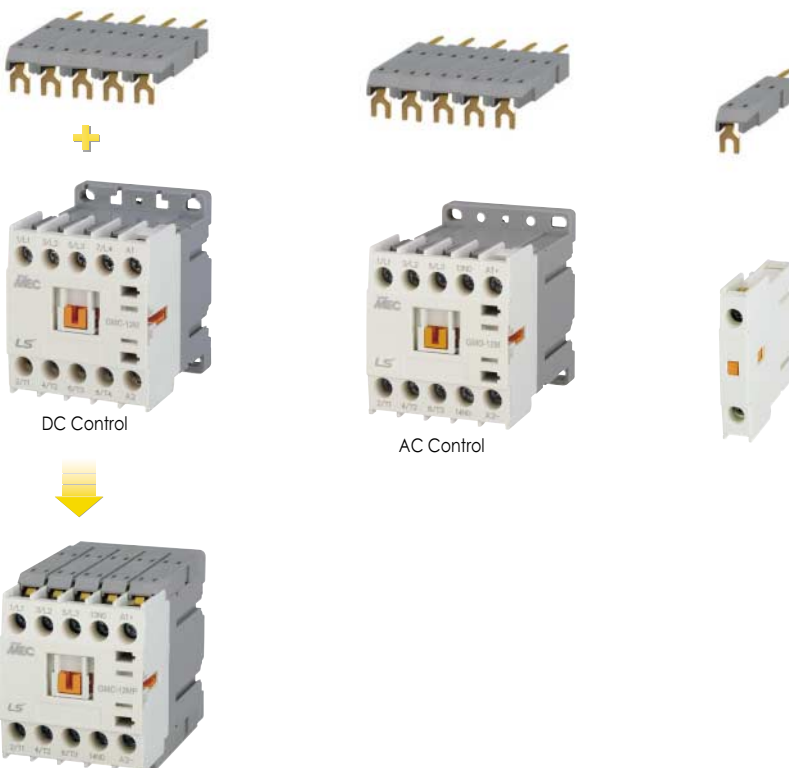
### consists of

- Mechanical interlock components
- Cable kits for line and load sides



## Solder pin terminals

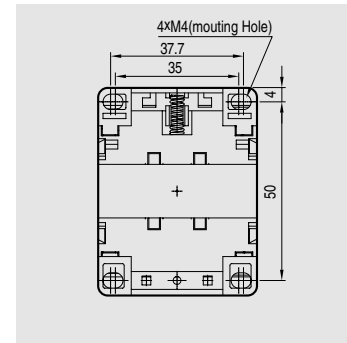
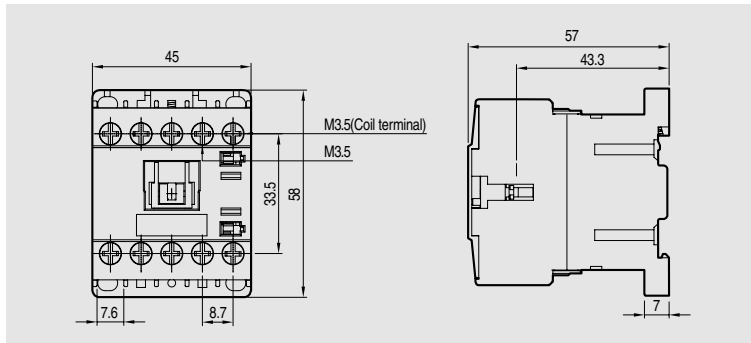
To modify the connection to Solder pin type from Screw clamp type  
Available for contactors and auxiliary contact blocks



# Dimensions

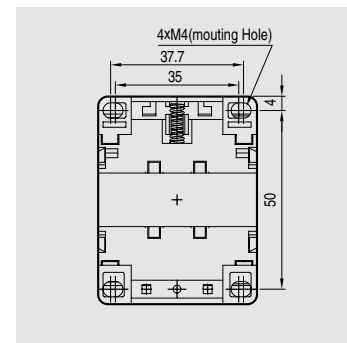
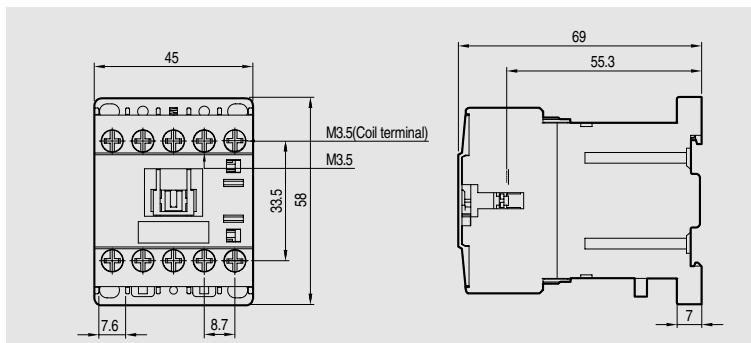
## Mini contactors (Screw clamp type)

- GMC-6M
- GMC-9M
- GMC-12M
- GMC-16M
- GMC-6M/4
- GMC-9M/4
- GMC-12M/4
- GMC-16M/4



0.17kg

- GMD-6M
- GMD-9M
- GMD-12M
- GMD-16M
- GMD-6M/4
- GMD-9M/4
- GMD-12M/4
- GMD-16M/4

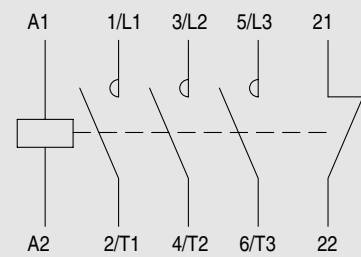
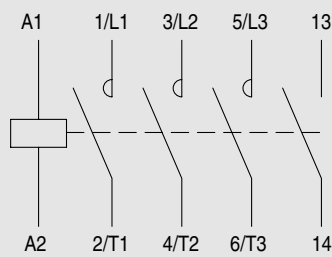


0.23kg

### Circuit diagram

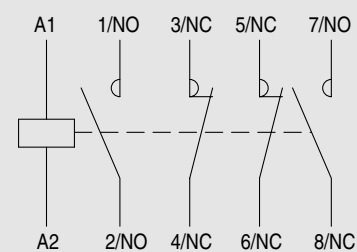
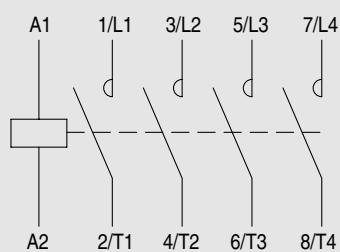
#### GMC-6M~16M, GMD-6M~16M

##### 3-Pole contactors



#### GMC-6M/4~16M/4, GMD-6M/4~16M/4

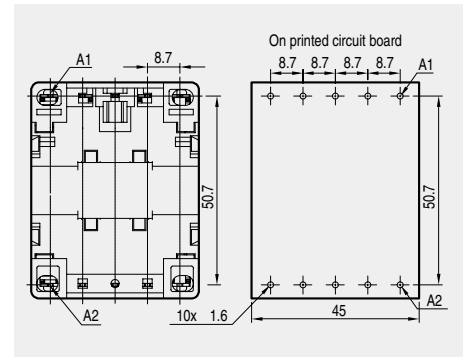
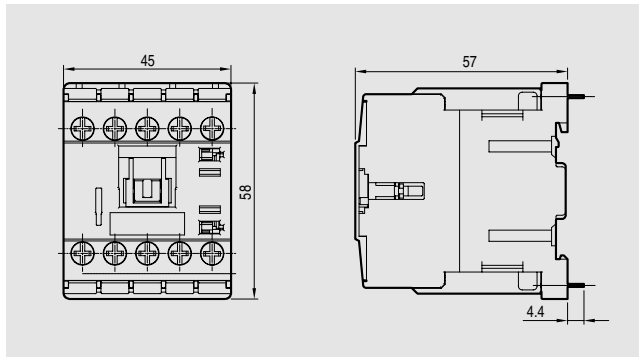
##### 4-Pole contactors



# Mini contactors (Solder pin type)

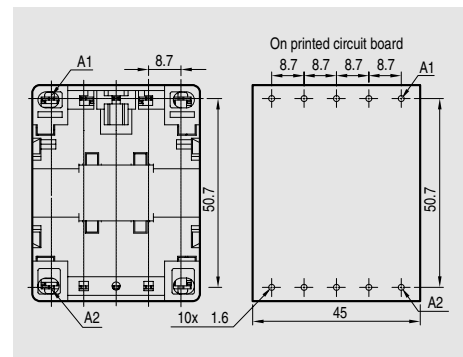
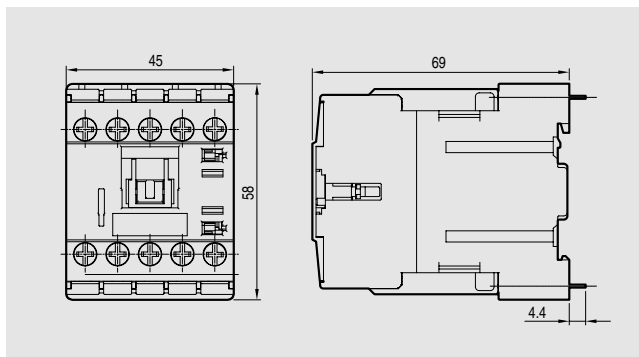


- GMC-6MP
- GMC-9MP
- GMC-12MP
- GMC-16MP
- GMC-6MP/4
- GMC-9MP/4
- GMC-12MP/4
- GMC-16MP/4



0.17kg

- GMD-6MP
- GMD-9MP
- GMD-12MP
- GMD-16MP
- GMD-6MP/4
- GMD-9MP/4
- GMD-12MP/4
- GMD-16MP/4

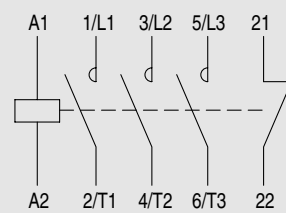
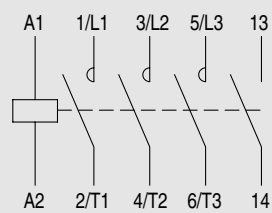


0.23kg

## Circuit diagram

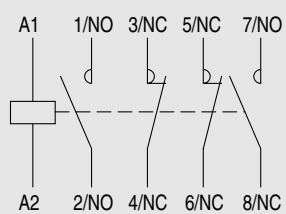
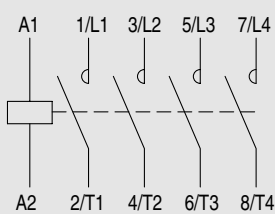
### GMC-6MP~16MP, GMD-6MP~16MP

#### 3-Pole contactors



### GMC-6MP/4~16MP/4, GMD-6MP/4~16MP/4

#### 4-Pole contactors

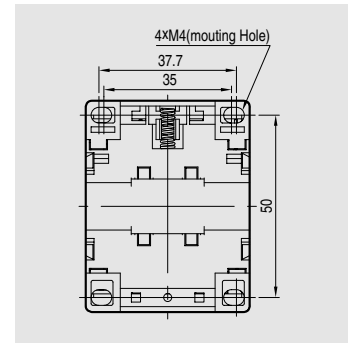
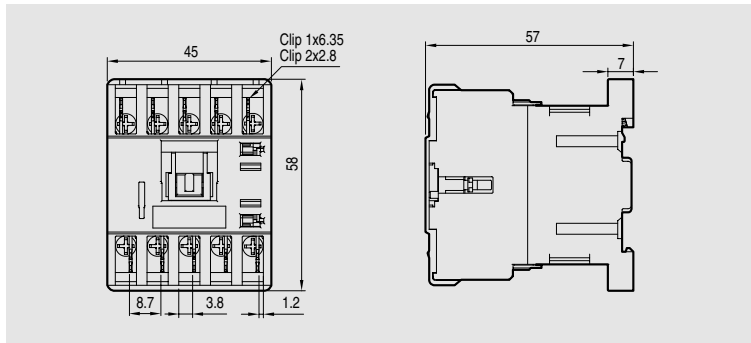




# Dimensions

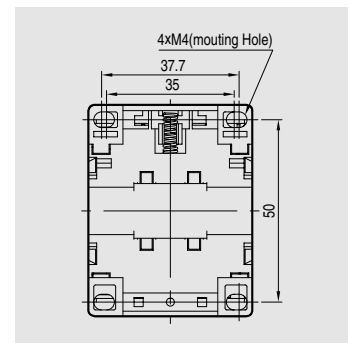
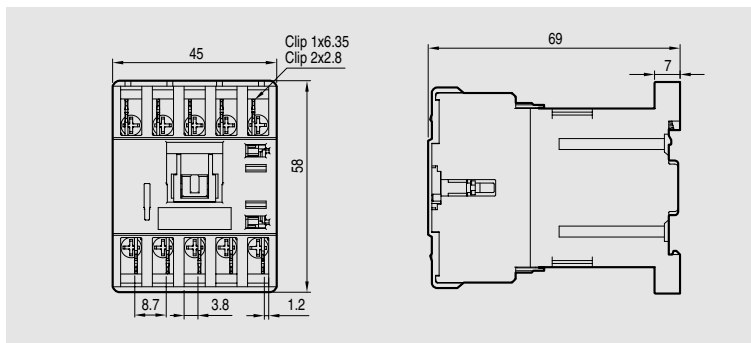
## Mini contactors (Fast-on type)

- GMC-6MF
- GMC-9MF
- GMC-12MF
- GMC-16MF
- GMC-6MF/4
- GMC-9MF/4
- GMC-12MF/4
- GMC-16MF/4



0.18kg

- GMD-6MF
- GMD-9MF
- GMD-12MF
- GMD-16MF
- GMD-6MF/4
- GMD-9MF/4
- GMD-12MF/4
- GMD-16MF/4

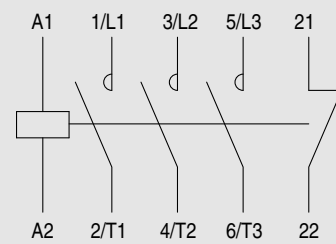
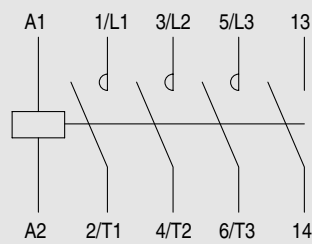


0.27kg

## Circuit diagram

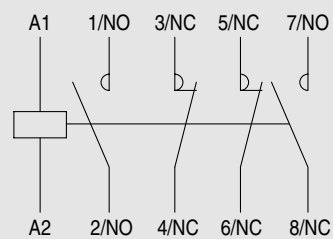
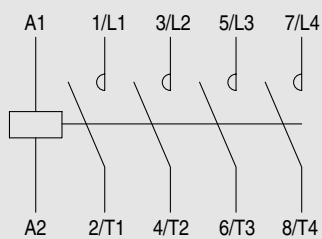
### GMC-6MF~16MF, GMD-6MF~16MF

#### 3-Pole contactors



### GMC-6MF/4~16MF/4, GMD-6MF/4~16MF/4

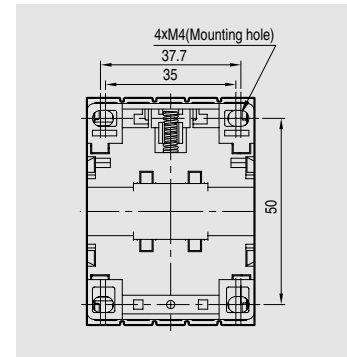
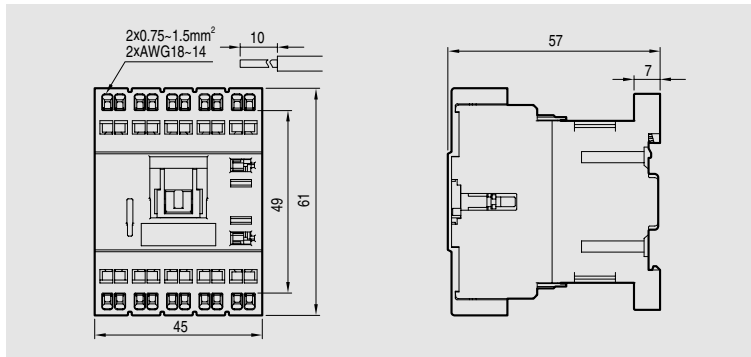
#### 4-Pole contactors



# Mini contactors (Cage clamp type)

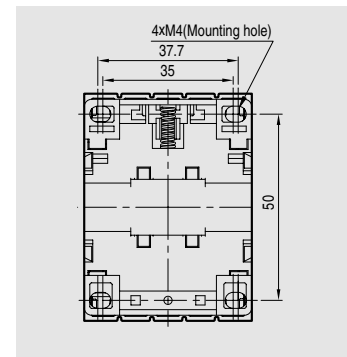
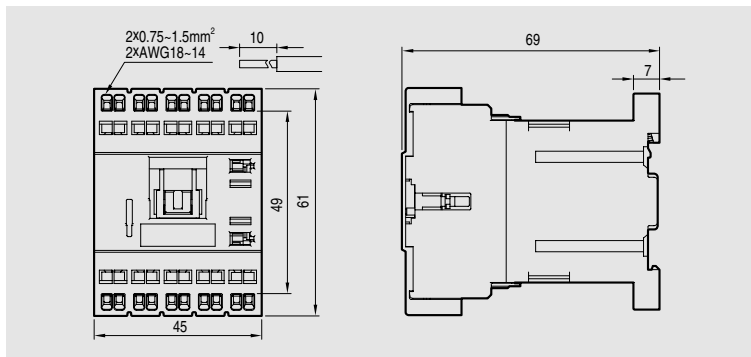


- GMC-6MC
- GMC-9MC
- GMC-12MC
- GMC-16MC
- GMC-6MC/4
- GMC-9MC/4
- GMC-12MC/4
- GMC-16MC/4



0.19kg

- GMD-6MC
- GMD-9MC
- GMD-12MC
- GMD-16MC
- GMD-6MC/4
- GMD-9MC/4
- GMD-12MC/4
- GMD-16MC/4

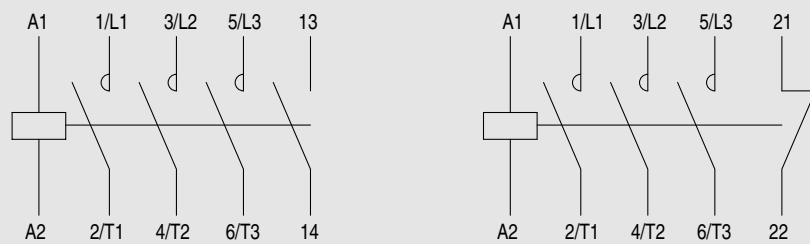


0.28kg

## Circuit diagram

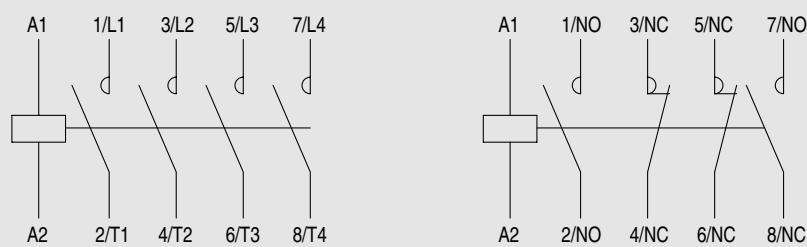
### GMC-6MC~16MC, GMD-6MC~16MC

3-Pole contactors



### GMC-6MC/4~16MC/4, GMD-6MC/4~16MC/4

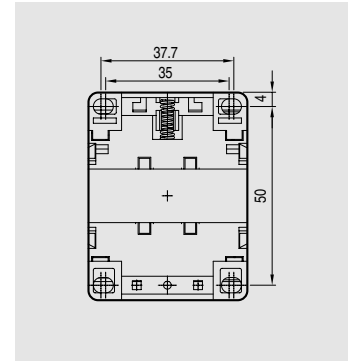
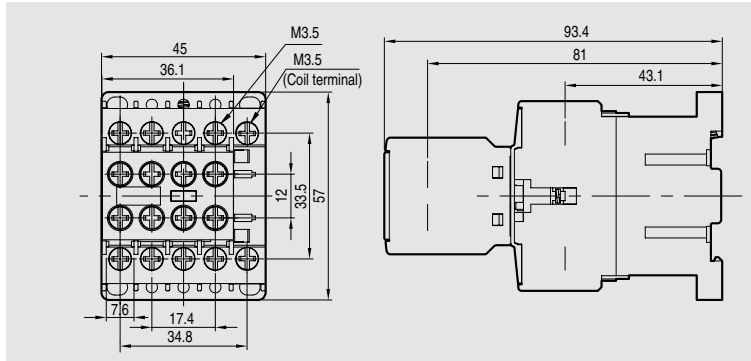
4-Pole contactors



# Dimensions

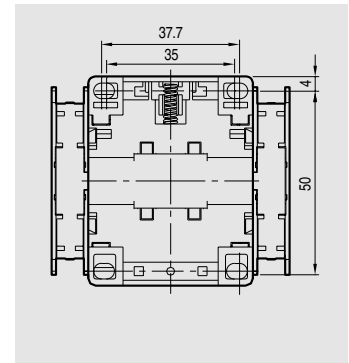
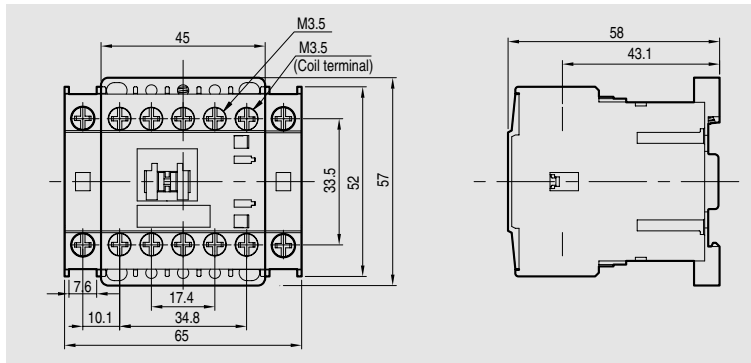
## Mini contactors with Auxiliary contacts

- GMC-6M
- GMC-9M
- GMC-12M
- GMC-16M
- +
- AU-4M



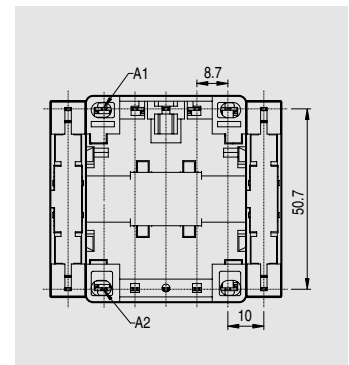
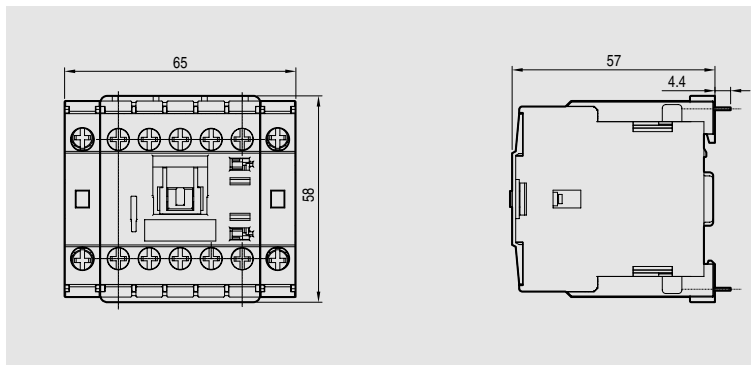
0.21kg

- GMC-6M
- GMC-9M
- GMC-12M
- GMC-16M
- +
- 2 × AU-1M

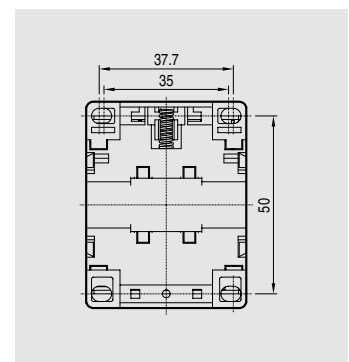
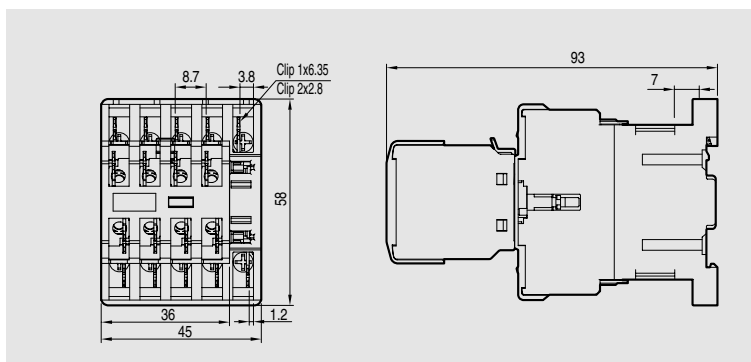


0.21kg

- GMC-6MP
- GMC-9MP
- GMC-12MP
- GMC-16MP
- +
- 2 × AU-1MP

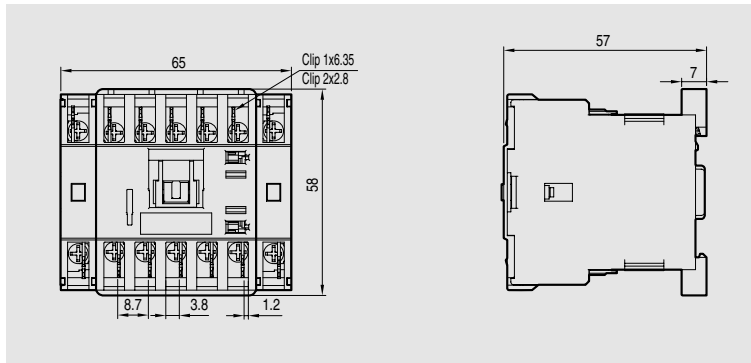


- GMC-6MF
- GMC-9MF
- GMC-12MF
- GMC-16MF
- +
- AU-4MF



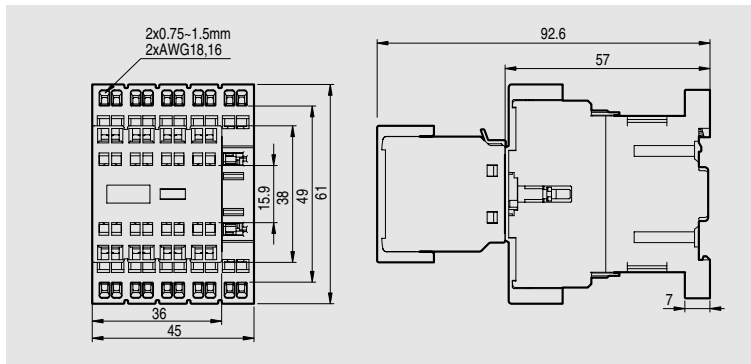
0.23kg

- GMC-6MF
- GMC-9MF
- GMC-12MF
- GMC-16MF
- +
- 2 × AU-1MF



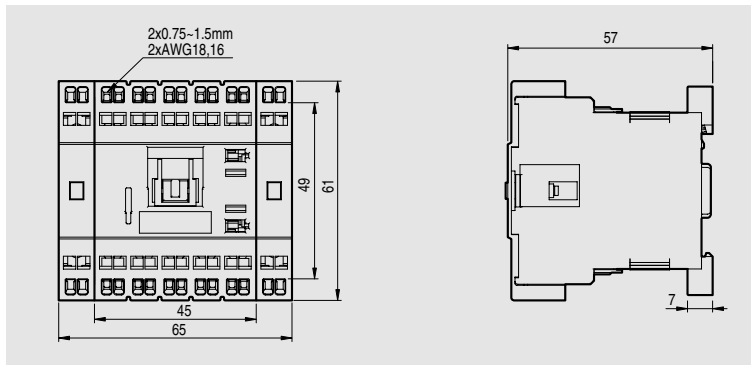
0.32kg

- GMC-6MC
- GMC-9MC
- GMC-12MC
- GMC-16MC
- +
- AU-4MC



0.24kg

- GMC-6MC
- GMC-9MC
- GMC-12MC
- GMC-16MC
- +
- 2 × AU-1MC

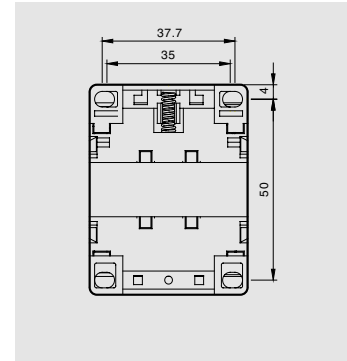
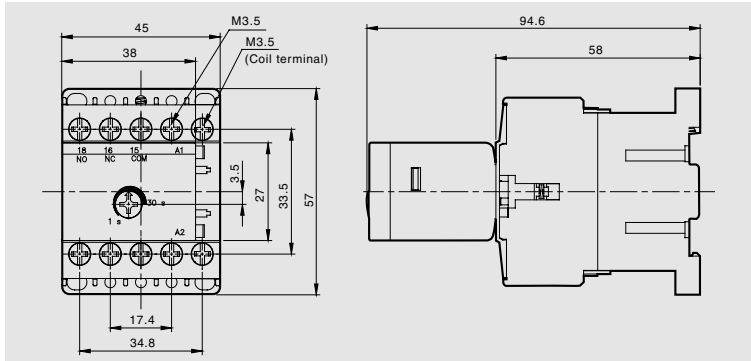


0.23kg

# Dimensions

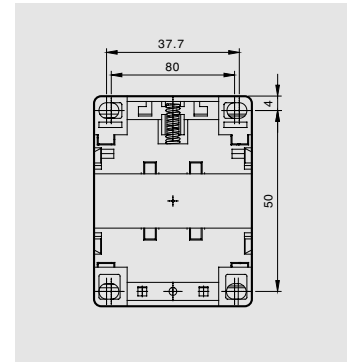
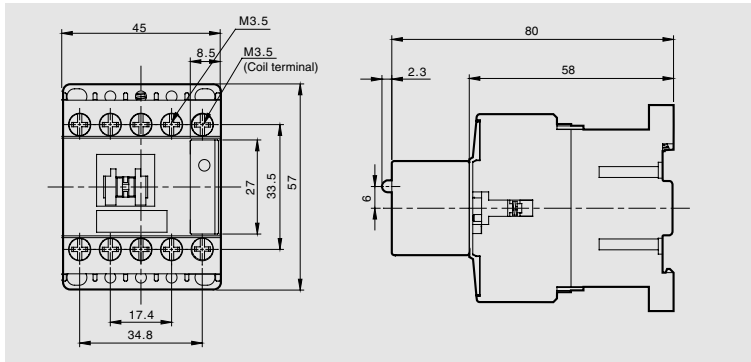
## Mini contactors with external accessories

- GMC-6M
- GMC-9M
- GMC-12M
- GMC-16M
- +
- AT-12M



0.21kg

- GMD-6M
- GMD-9M
- GMD-12M
- GMD-16M
- +
- AS-12M

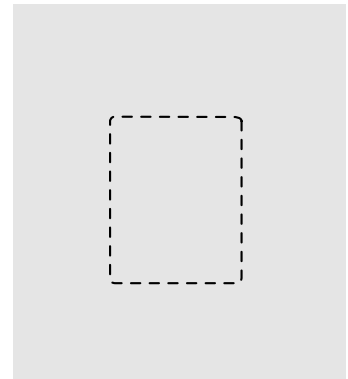
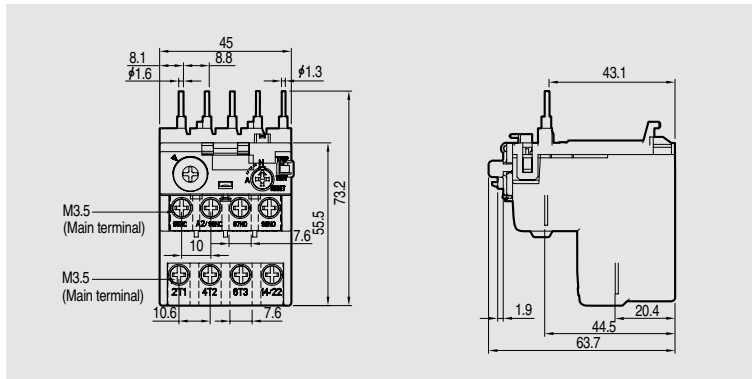


0.175kg

# Dimensions

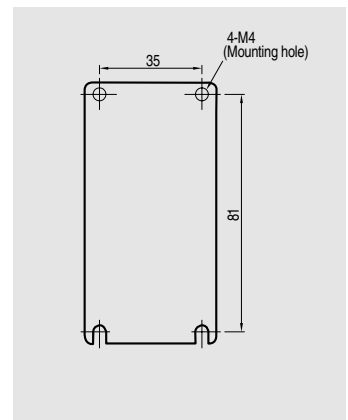
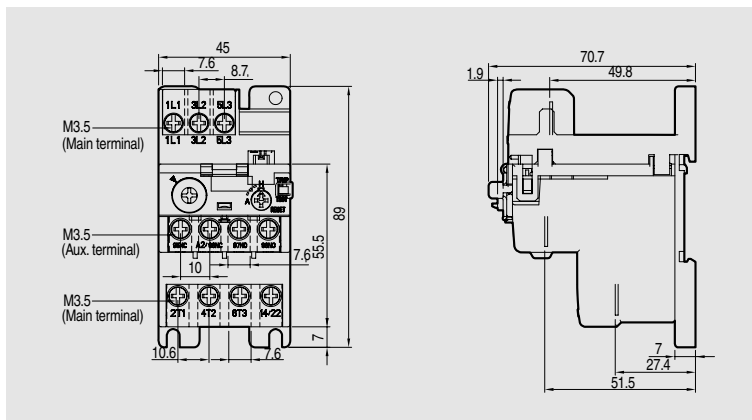
## Thermal overload relays for Mini contactors

**GTH(K)-12M**



0.1kg

**GTH(K)-12MH**



0.4kg

# Dimensions

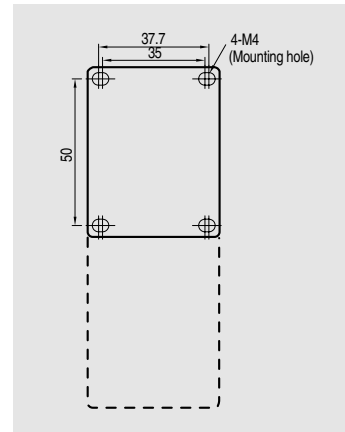
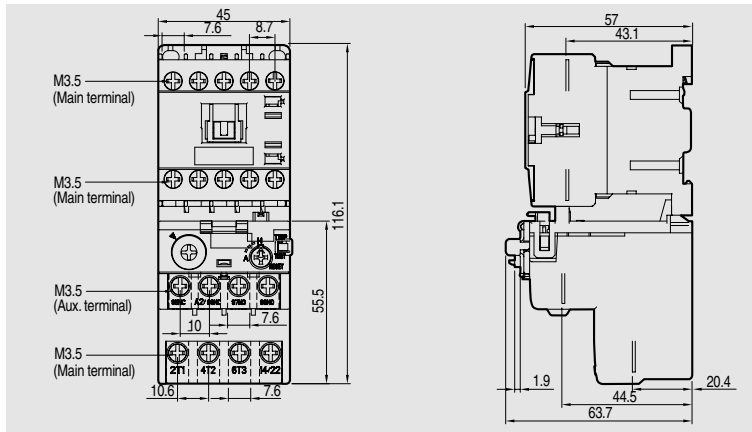
## Mini motor starters, open

GMS-6M

GMS-9M

GMS-12M

GMS-16M



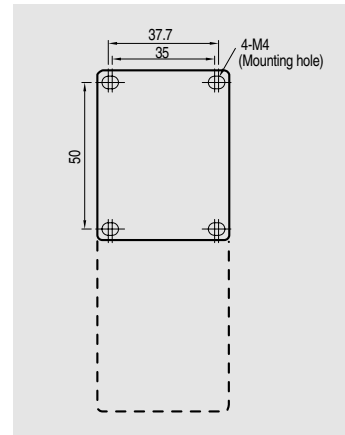
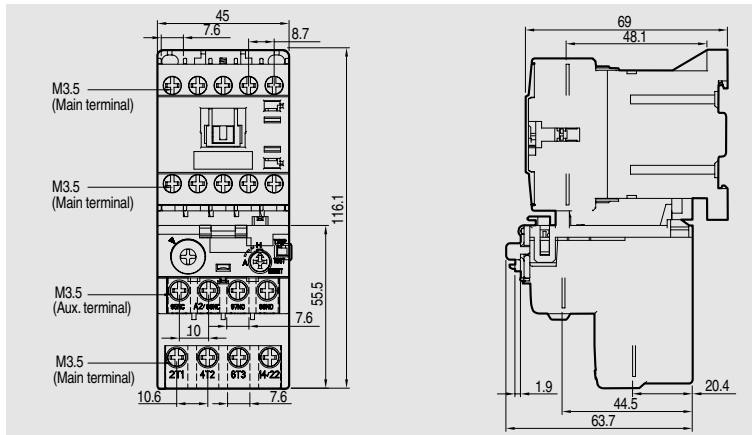
0.26kg

GMS-6MD

GMS-9MD

GMS-12MD

GMS-16MD

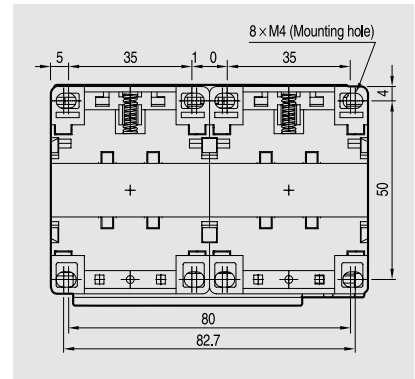
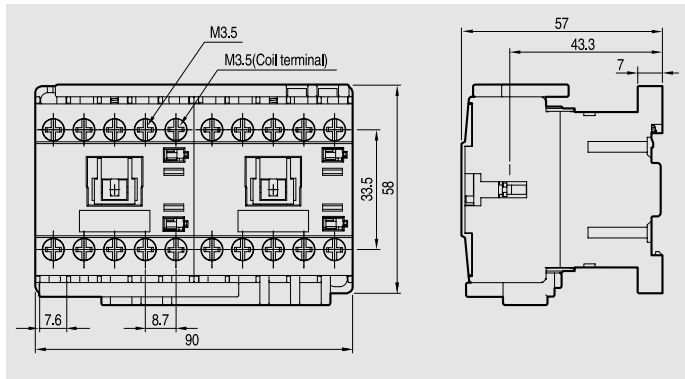


0.39kg

# Dimensions

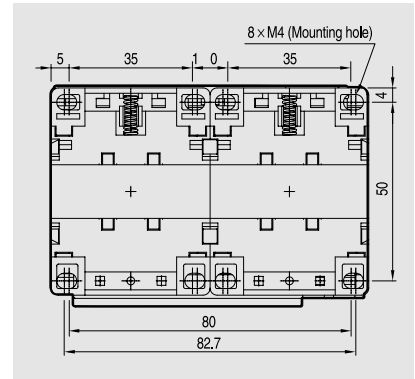
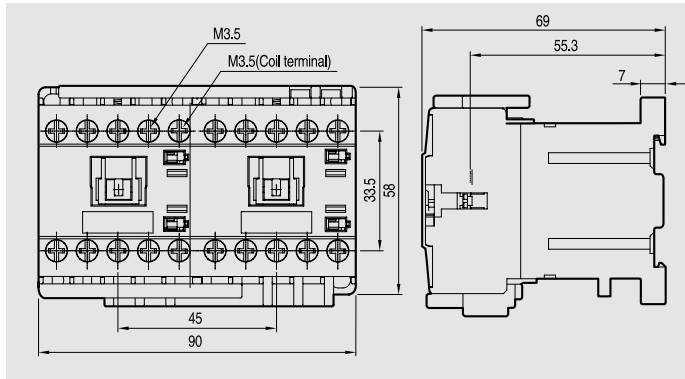
## Mini contactors, Reversing type

- GMC-6MR
- GMC-9MR
- GMC-12MR
- GMC-16MR
- GMC-6MR/4
- GMC-9MR/4
- GMC-12MR/4
- GMC-16MR/4



Weight: 0.36kg

- GMD-6MR
- GMD-9MR
- GMD-12MR
- GMD-16MR
- GMD-6MR/4
- GMD-9MR/4
- GMD-12MR/4
- GMD-16MR/4

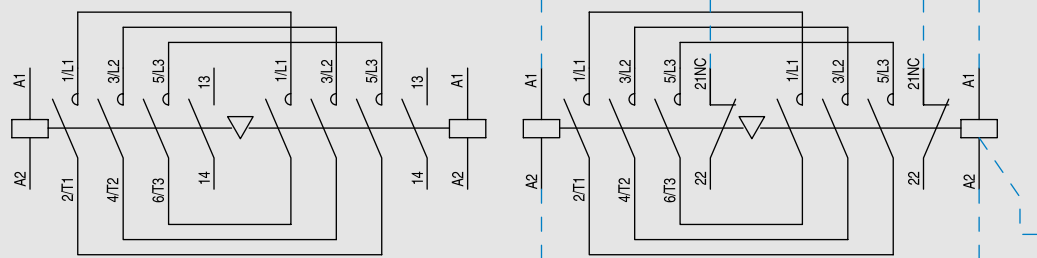


Weight: 0.48kg

### Circuit diagram

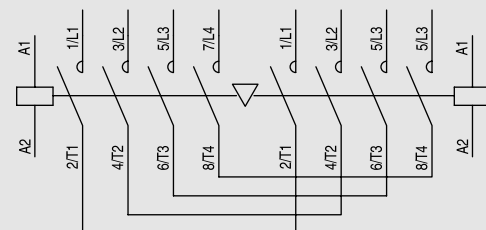
#### GMC-6MR~16MR, GMD-6MR~16MR

3-Pole contactors



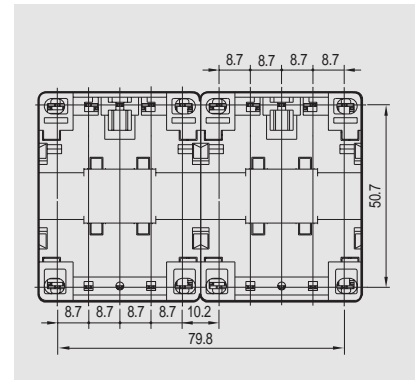
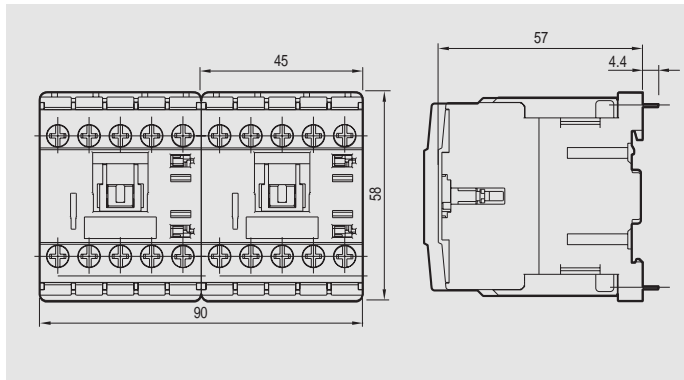
#### GMC-6MR/4~16MR/4, GMD-6MR/4~16MR/4

4-Pole contactors



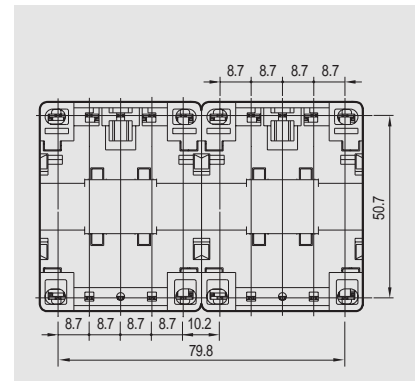
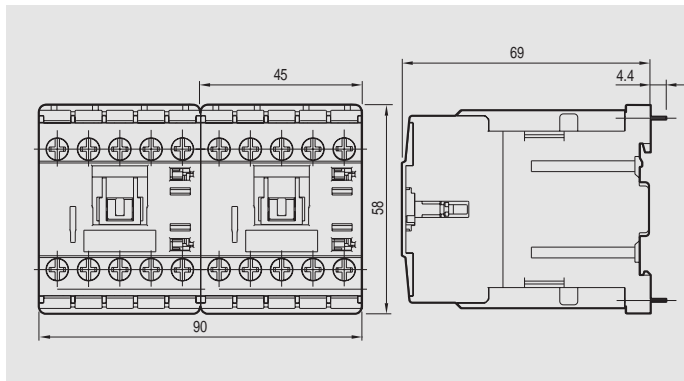


- GMC-6MPR
- GMC-9MPR
- GMC-12MPR
- GMC-16MPR
- GMC-6MPR/4
- GMC-9MPR/4
- GMC-12MPR/4
- GMC-16MPR/4



Weight: 0.38kg

- GMD-6MPR
- GMP-9MPR
- GMD-12MPR
- GMD-16MPR
- GMD-6MPR/4
- GMD-9MPR/4
- GMD-12MPR/4
- GMD-16MPR/4

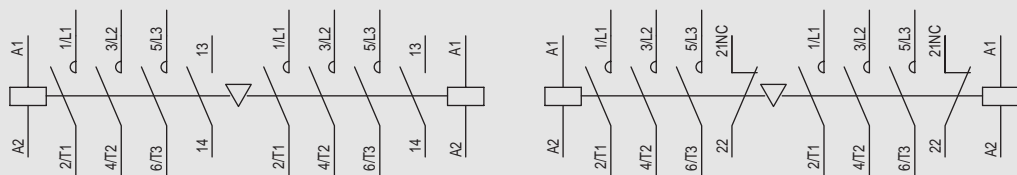


Weight: 0.56kg

## Circuit diagram

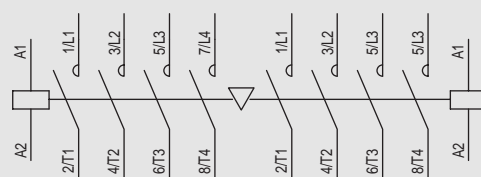
### GMC-6MPR~16MPR, GMD-6MPR~16MPR

3-Pole contactors



### GMC-6MPR/4~16MPR/4, GMD-6MPR/4~16MPR/4

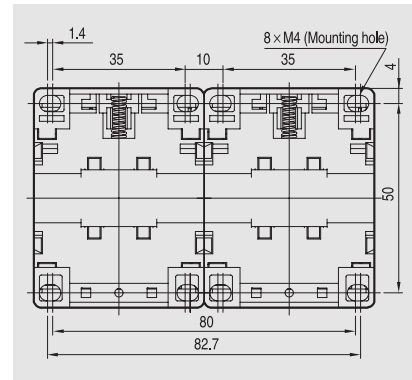
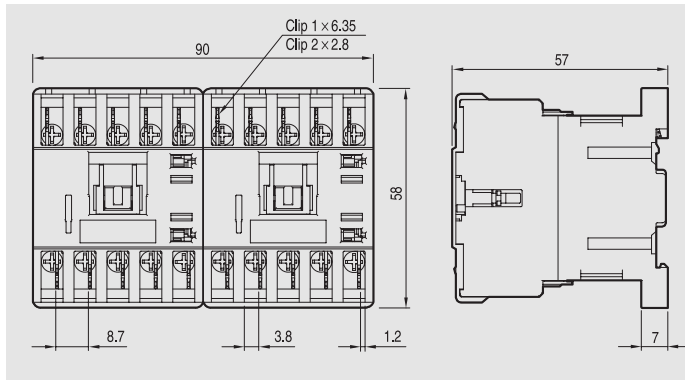
4-Pole contactors



# Dimensions

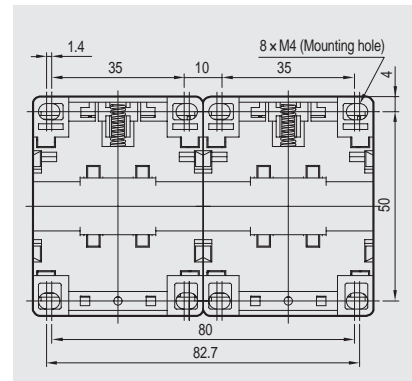
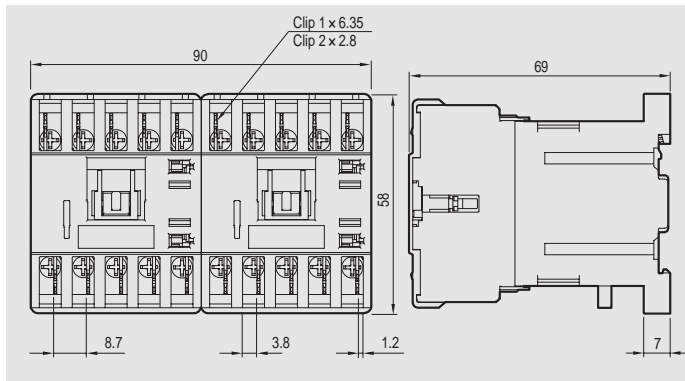
## Mini contactors, Reversing type

- GMC-6MFR
- GMC-9MFR
- GMC-12MFR
- GMC-16MFR
- GMC-6MFR/4
- GMC-9MFR/4
- GMC-12MFR/4
- GMC-16MFR/4



Weight: 0.36kg

- GMD-6MFR
- GMD-9MFR
- GMD-12MFR
- GMD-16MFR
- GMD-6MFR/4
- GMD-9MFR/4
- GMD-12MFR/4
- GMD-16MFR/4

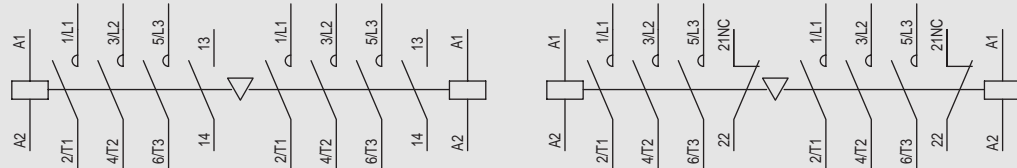


Weight: 0.54kg

### Circuit diagram

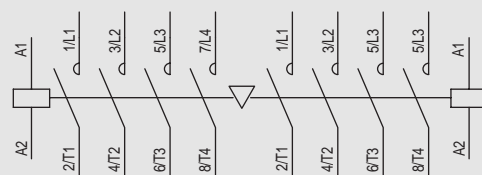
#### GMC-6MFR~16MFR, GMD-6MFR~16MFR

3-Pole contactors

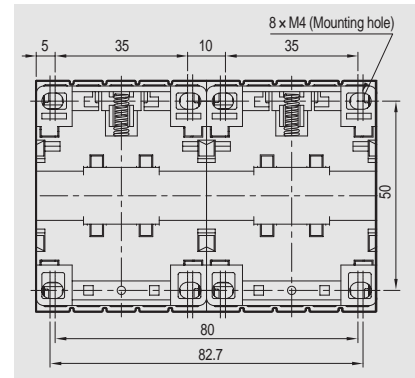
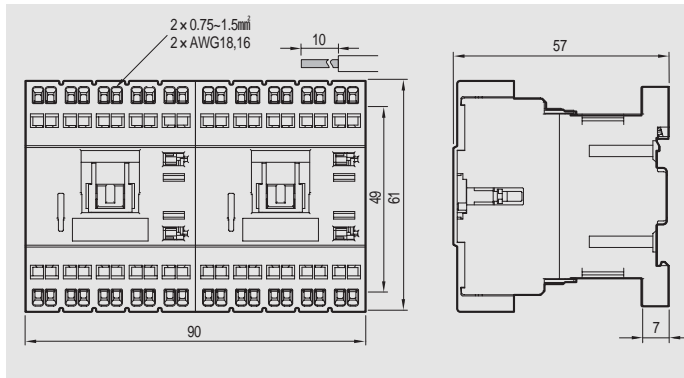


#### GMC-6MFR/4~16MFR/4, GMD-6MFR/4~16MFR/4

4-Pole contactors

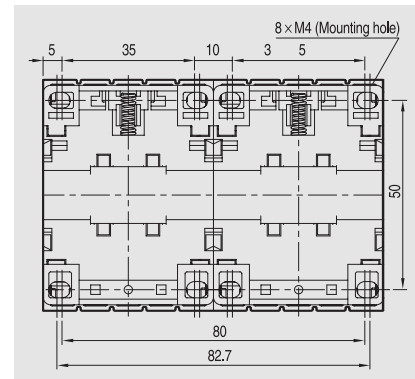
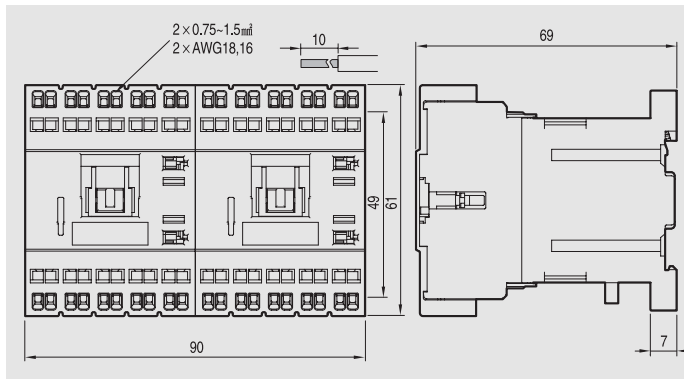


- GMC-6MCR
- GMC-9MCR
- GMC-12MCR
- GMC-16MCR
- GMC-6MCR/4
- GMC-9MCR/4
- GMC-12MCR/4
- GMC-16MCR/4



Weight: 0.38kg

- GMD-6MCR
- GMD-9MCR
- GMD-12MCR
- GMD-16MCR
- GMD-6MCR/4
- GMD-9MCR/4
- GMD-12MCR/4
- GMD-16MCR/4

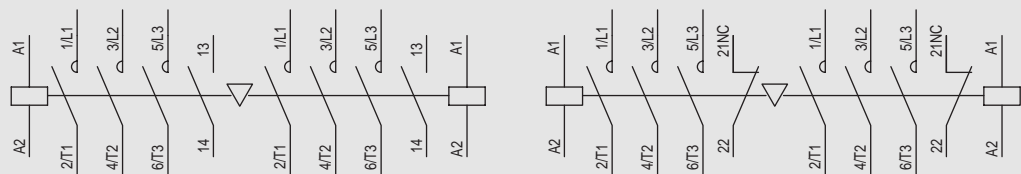


Weight: 0.56kg

## Circuit diagram

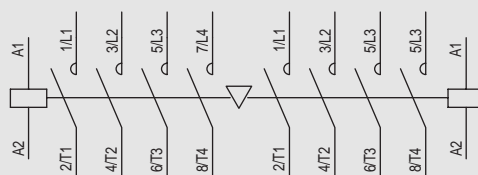
### GMC-6MCR-16MCR, GMD-6MCR-16MCR

3-Pole contactors



### GMC-6MCR/4-16MCR/4, GMD-6MCR/4-16MCR/4

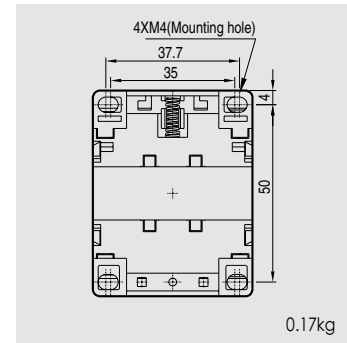
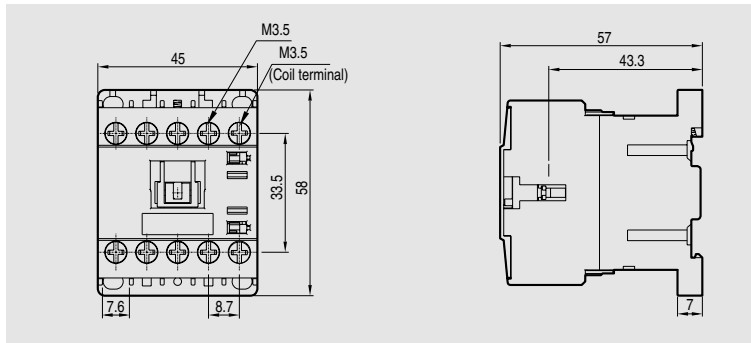
4-Pole contactors



# Dimensions

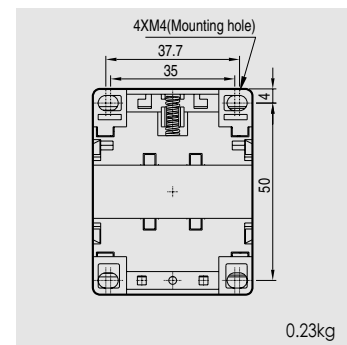
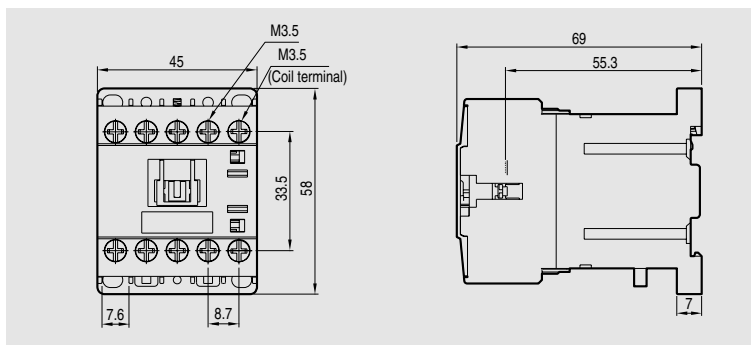
## Mini contactor relays

**GMR-4M**



0.17kg

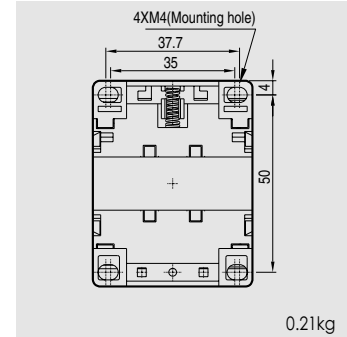
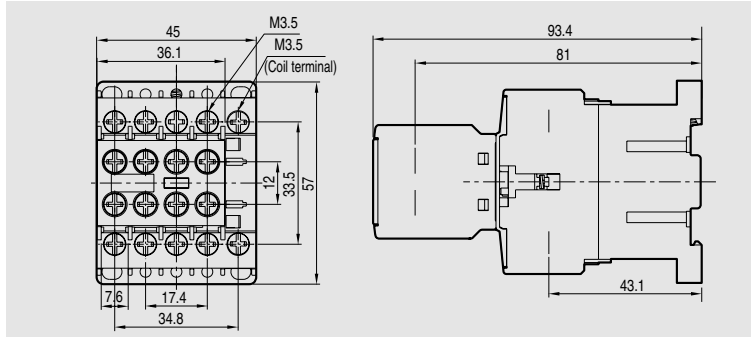
**GMR-4MD**



0.23kg

**GMR-4M**

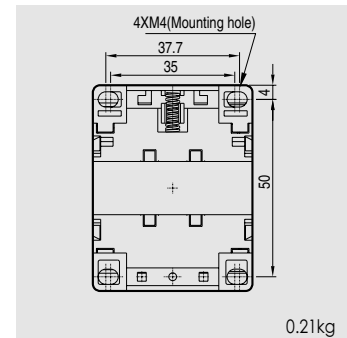
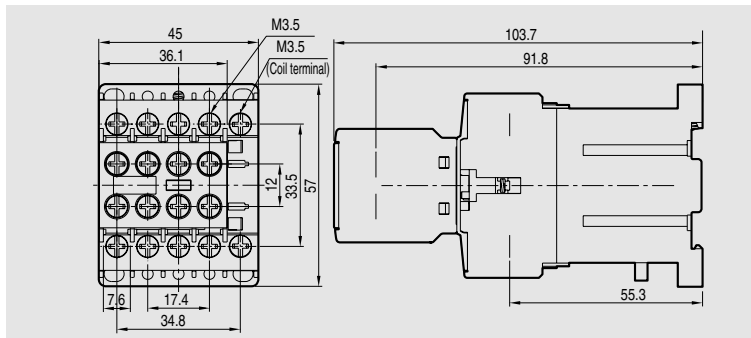
**GMR-8M**



0.21kg

**GMR-4M**

**GMR-8M**

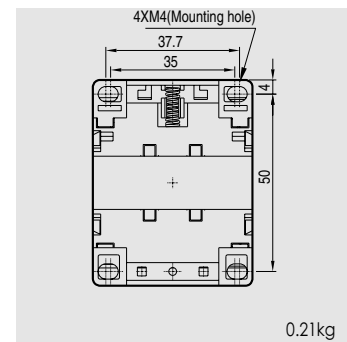
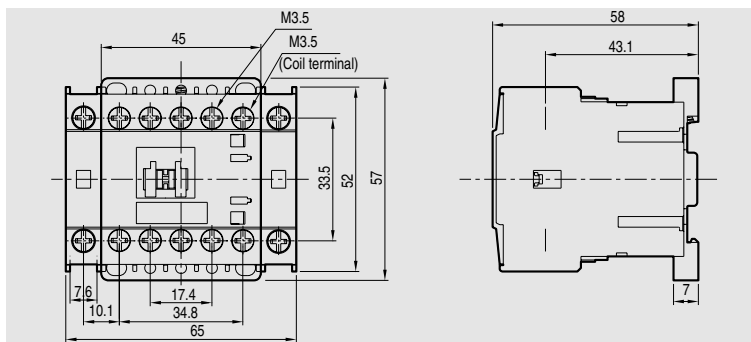


0.21kg

**GMR-4M**

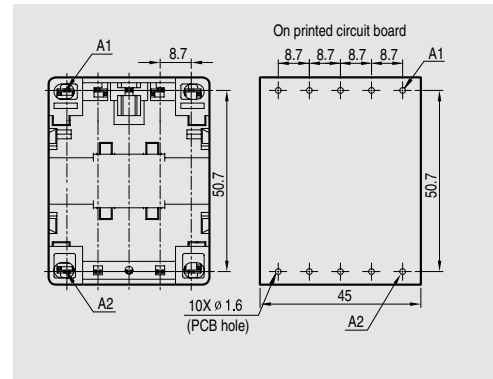
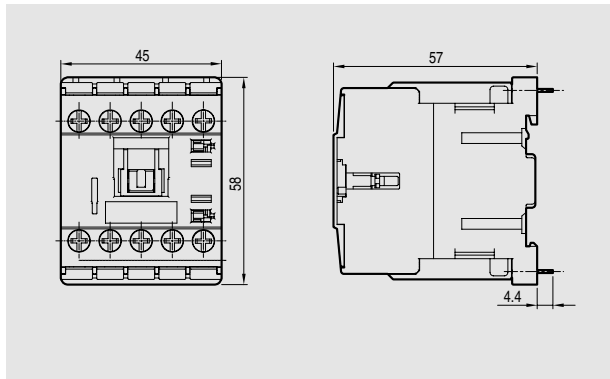
+

**2 × AU-1M**



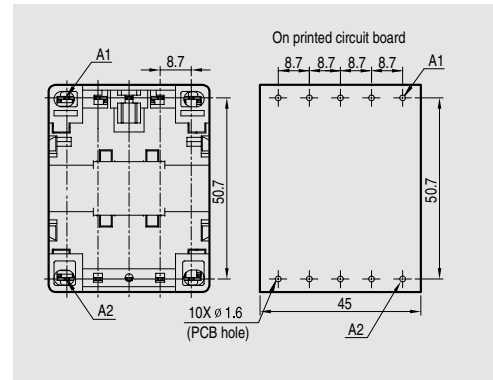
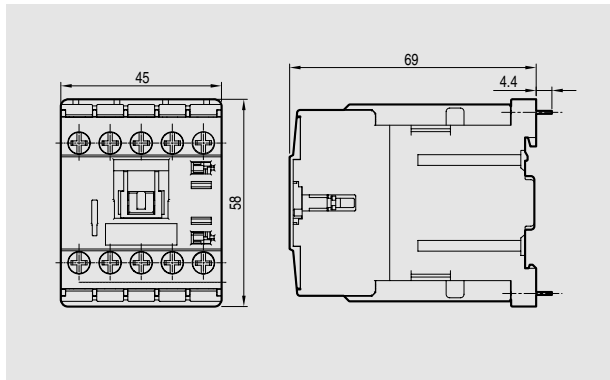
0.21kg

**GMR-4MP**



0.19kg

**GMR-4MPD**

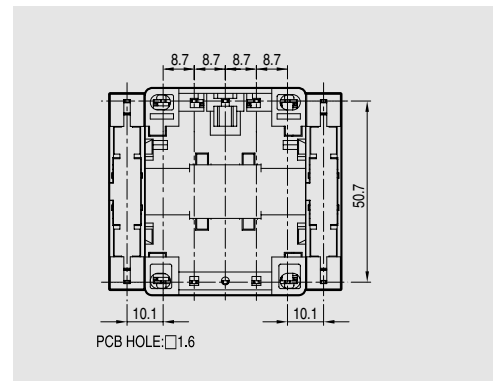
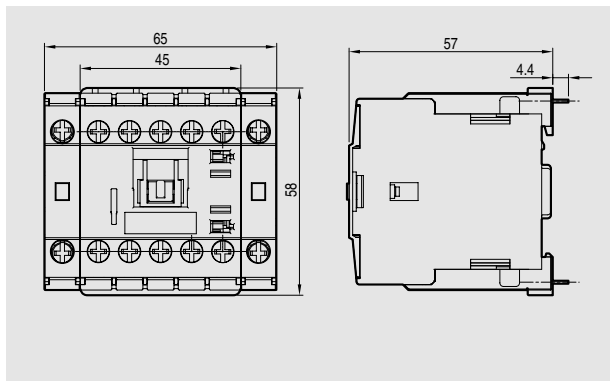


0.28kg

**GMR-4MP**

+

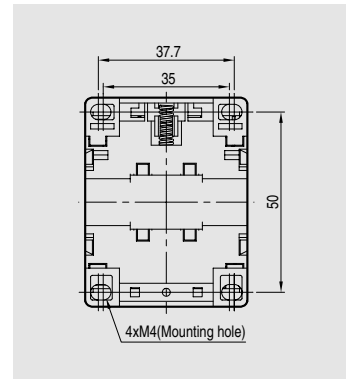
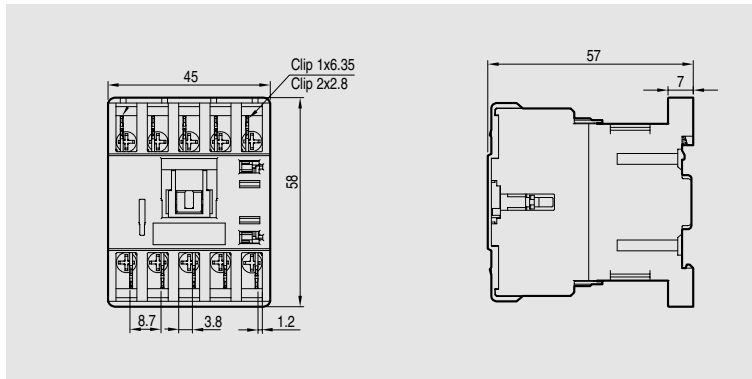
2x **AU-1M**



# Dimensions

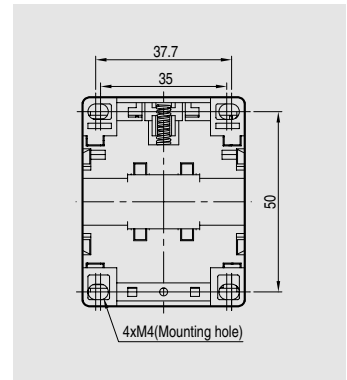
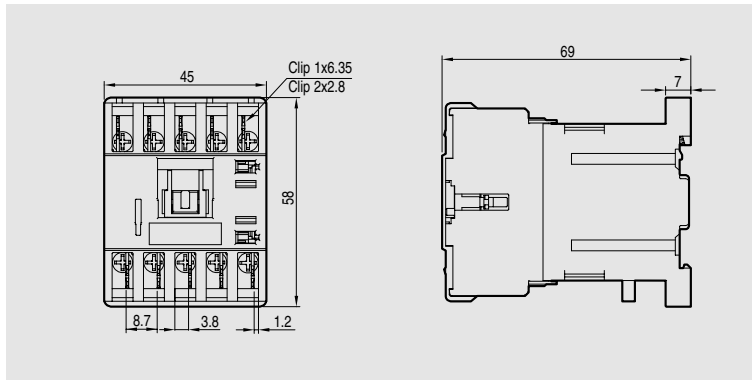
## Mini contactor relays

**GMR-4MF**



0.18kg

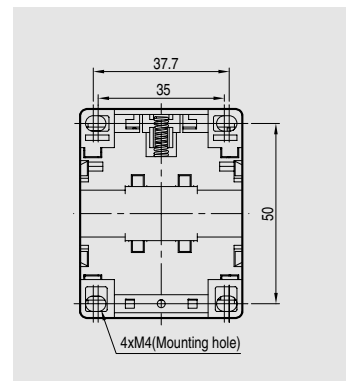
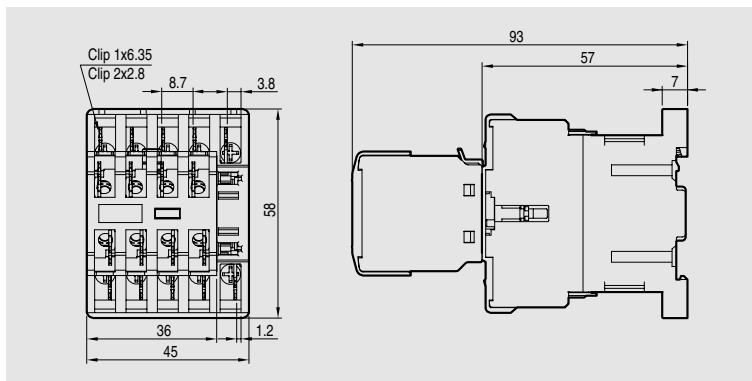
**GMR-4MFD**



0.27kg

**GMR-6MF**

**GMR-8MF**

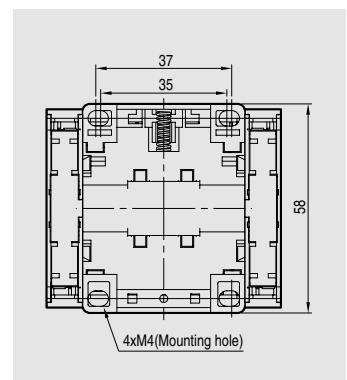
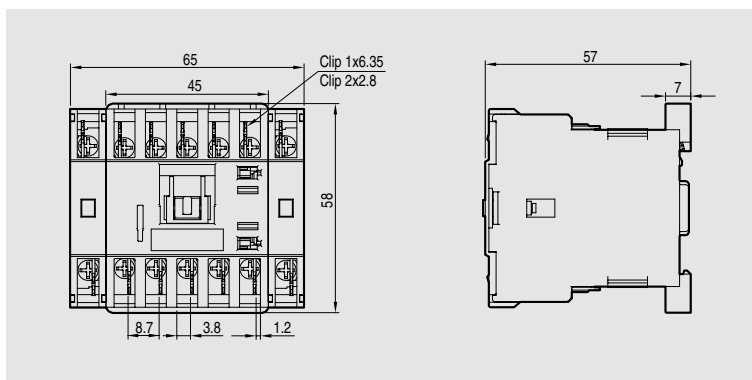


0.23kg

**GMR-4MF**

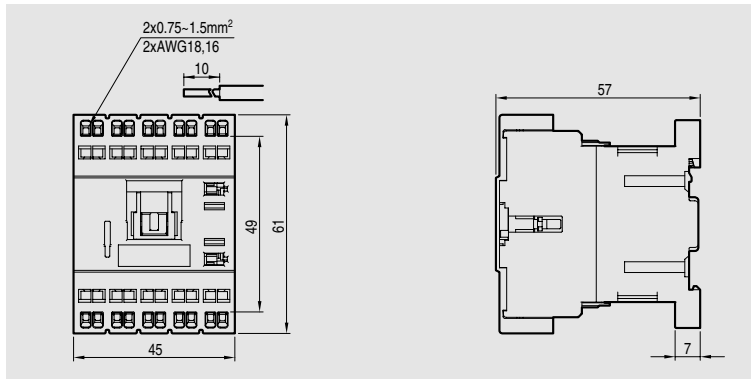
+

**2 × AU-1MF**



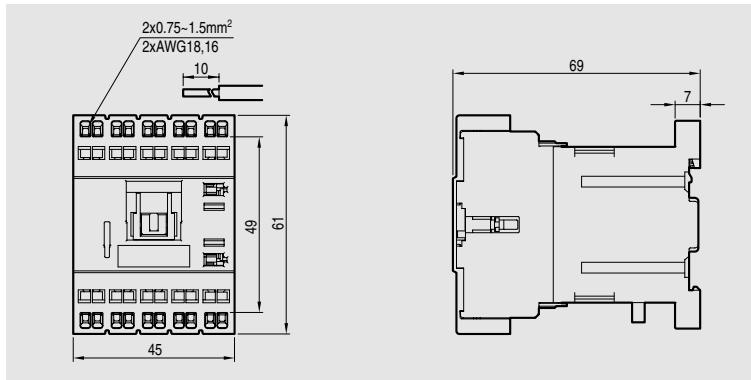
0.32kg

**GMR-4MC**



0.18kg

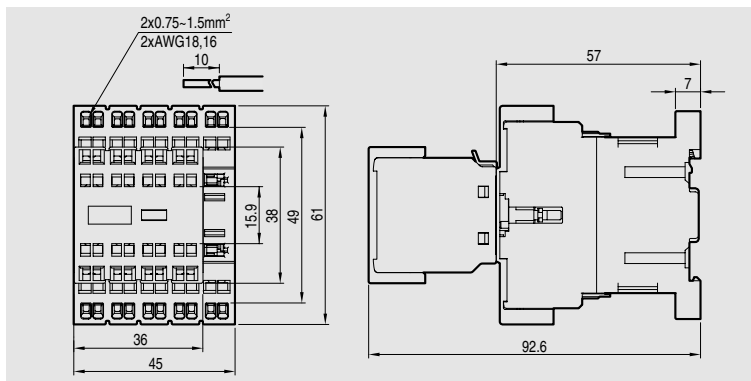
**GMR-4MCD**



0.27kg

**GMR-6MC**

**GMR-8MC**

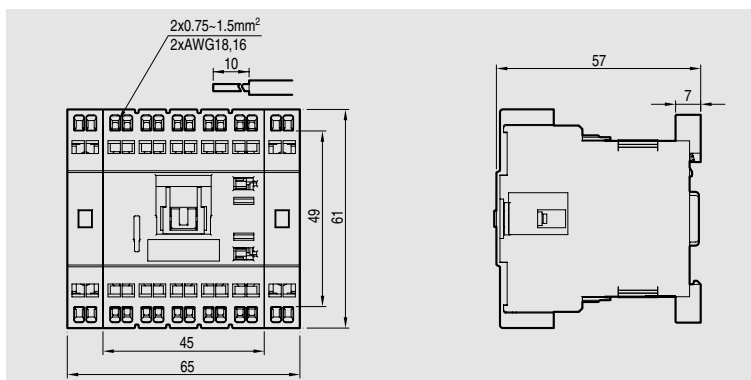


0.23kg

**GMR-4MC**

+

**2 × AU-1MC**

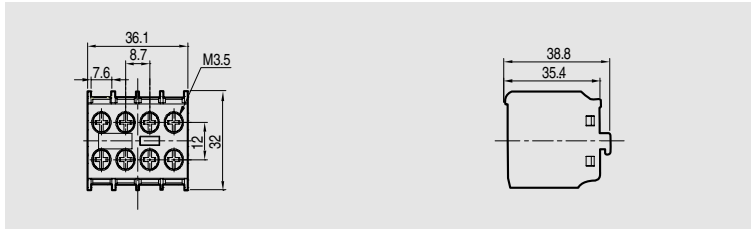


0.32kg

# Dimensions

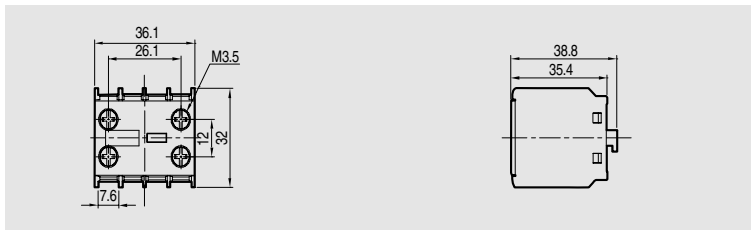
## Accessories for Mini contactors

AU-4M



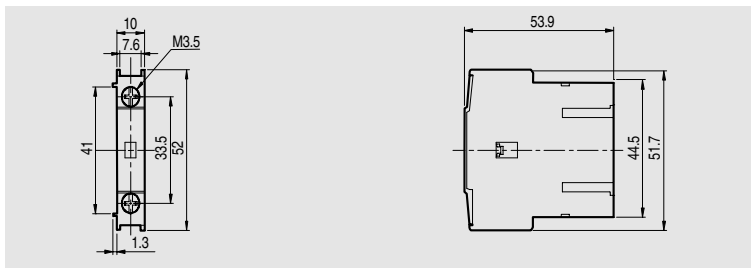
0.04kg

AU-2M



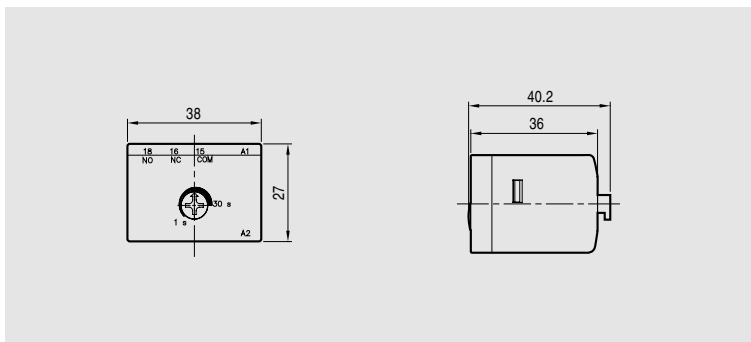
0.03kg

AU-1M



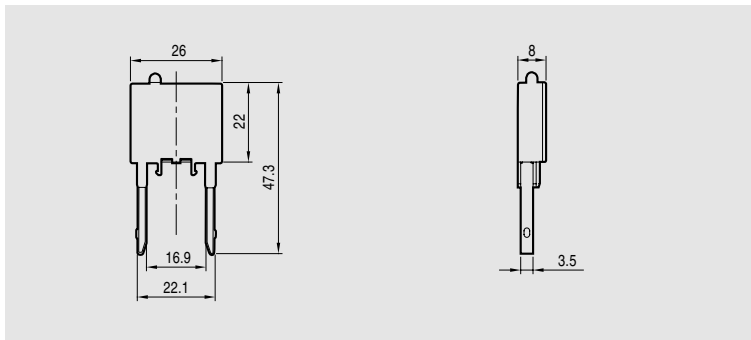
0.02kg

AT-12M



0.04kg

AS-12M










0.005kg



# Certification

## Mini contactor

### Certificate of approvals

A species of certification		Approvals					Certificates	
A species of standard		Safety certificate	IEC	cUL		GB	Gosstandart	IEC
Mark or certification								
Type			CE	cUL		CCC	GOST	KEMA
		Korea	Europe	U.S.A	Canada	China	Russia	Netherlands
Mini contactor	GMC(D)-6M							
	GMC(D)-9M							
	GMC(D)-12M							
	GMC(D)-16M							
	GMC(D)-6MF							
	GMC(D)-9MF							
	GMC(D)-12MF							
	GMC(D)-16MF							
	GMC(D)-6MC							
	GMC(D)-9MC							
	GMC(D)-12MC							
	GMC(D)-16MC							
	GMC(D)-6MP							
	GMC(D)-9MP							
GMC(D)-12MP								
GMC(D)-16MP								
Mini standard contactor	GMS-6M(D)/3							
	GMS-9M(D)/3							
	GMS-12M(D)/3							
	GMS-16M(D)/3							
	GMS-6M(D)/K							
	GMS-9M(D)/K							
	GMS-12M(D)/K							
Mini reversing contactor	GMS-6MR(D)/3							
	GMS-9MR(D)/3							
	GMS-12MR(D)/3							
	GMS-16MR(D)/3							
	GMS-6MR(D)/K							
	GMS-9MR(D)/K							
	GMS-12MR(D)/K							
Mini 4pole contactor	GMC(D)-6M/4							
	GMC(D)-9M/4							
	GMC(D)-12M/4							
	GMC(D)-16M/4							
Mini reversing contactor	GMC(D)-6MR							
	GMC(D)-9MR							
	GMC(D)-12MR							
	GMC(D)-16MR							
Overload relay	GMR-4M(D)							
	GMR-6M(D)							
	GMR-8M(D)							
Thermal overload relay Phase loss protector	GTH-12M/3							
	GTH-12MH							
	GTK-12M							
	GTK-12MH							
Accessory	AU-1,2,4M							
	AU-1,2,4MF							
	AU-1,2,4MC							
	AU-1MP							
	AR-12M							
	AZ-12M							
	AT-12M							
	AS-12M							

Remark : Completion, Progressing

# Catalogue numbers index

## Mini Contactors

### 3-pole AC operating Mini Contactors (6~16A)

Catalogue No.	Model	Coil Voltage (V)	Hz	No. of Auxiliary Contact	Pole	Page No.
1269022800	GMC-6M	AC24V	50/60Hz	1a	3P	7
1269022900	GMC-6M	AC36V	50/60Hz	1a	3P	7
1269023000	GMC-6M	AC42V	50/60Hz	1a	3P	7
1269023100	GMC-6M	AC48V	50/60Hz	1a	3P	7
1269023200	GMC-6M	AC110V	50/60Hz	1a	3P	7
1269023300	GMC-6M	AC115V	50/60Hz	1a	3P	7
1269023400	GMC-6M	AC120V	50/60Hz	1a	3P	7
1269023500	GMC-6M	AC127V	50/60Hz	1a	3P	7
1269034400	GMC-6M	AC200V	50/60Hz	1a	3P	7
1269023700	GMC-6M	AC220V	50/60Hz	1a	3P	7
1269037500	GMC-6M	AC240V	50/60Hz	1a	3P	7
1269024000	GMC-6M	AC256V	50/60Hz	1a	3P	7
1269024100	GMC-6M	AC277V	50/60Hz	1a	3P	7
1269032900	GMC-6M	AC380V	50/60Hz	1a	3P	7
1269024300	GMC-6M	AC400V	50/60Hz	1a	3P	7
1269024400	GMC-6M	AC440V	50/60Hz	1a	3P	7
1269024500	GMC-6M	AC480V	50/60Hz	1a	3P	7
1269024600	GMC-6M	AC500V	50/60Hz	1a	3P	7
1269024700	GMC-6M	AC550V	50/60Hz	1a	3P	7
1269002100	GMC-6M	AC24V	50/60Hz	1b	3P	7
1269002200	GMC-6M	AC36V	50/60Hz	1b	3P	7
1269002300	GMC-6M	AC42V	50/60Hz	1b	3P	7
1269002400	GMC-6M	AC48V	50/60Hz	1b	3P	7
1269002500	GMC-6M	AC110V	50/60Hz	1b	3P	7
1269002600	GMC-6M	AC115V	50/60Hz	1b	3P	7
1269002700	GMC-6M	AC120V	50/60Hz	1b	3P	7
1269002800	GMC-6M	AC127V	50/60Hz	1b	3P	7
1269037600	GMC-6M	AC200V	50/60Hz	1b	3P	7
1269003000	GMC-6M	AC220V	50/60Hz	1b	3P	7
1269037700	GMC-6M	AC240V	50/60Hz	1b	3P	7
1269003300	GMC-6M	AC256V	50/60Hz	1b	3P	7
1269003400	GMC-6M	AC277V	50/60Hz	1b	3P	7
1269033000	GMC-6M	AC380V	50/60Hz	1b	3P	7
1269003600	GMC-6M	AC400V	50/60Hz	1b	3P	7
1269003700	GMC-6M	AC440V	50/60Hz	1b	3P	7
1269003800	GMC-6M	AC480V	50/60Hz	1b	3P	7
1269003900	GMC-6M	AC500V	50/60Hz	1b	3P	7
1269004000	GMC-6M	AC550V	50/60Hz	1b	3P	7
1269008100	GMC-9M	AC24V	50/60Hz	1a	3P	7
1269008200	GMC-9M	AC36V	50/60Hz	1a	3P	7
1269008300	GMC-9M	AC42V	50/60Hz	1a	3P	7
1269008400	GMC-9M	AC48V	50/60Hz	1a	3P	7
1269008500	GMC-9M	AC110V	50/60Hz	1a	3P	7
1269008600	GMC-9M	AC115V	50/60Hz	1a	3P	7
1269008700	GMC-9M	AC120V	50/60Hz	1a	3P	7
1269008800	GMC-9M	AC127V	50/60Hz	1a	3P	7
1269034500	GMC-9M	AC200V	50/60Hz	1a	3P	7
1269009000	GMC-9M	AC220V	50/60Hz	1a	3P	7
1269038200	GMC-9M	AC240V	50/60Hz	1a	3P	7
1269009300	GMC-9M	AC256V	50/60Hz	1a	3P	7
1269009400	GMC-9M	AC277V	50/60Hz	1a	3P	7
1269033300	GMC-9M	AC380V	50/60Hz	1a	3P	7
1269009600	GMC-9M	AC400V	50/60Hz	1a	3P	7
1269009700	GMC-9M	AC440V	50/60Hz	1a	3P	7
1269009800	GMC-9M	AC480V	50/60Hz	1a	3P	7

### 3-pole AC operating Mini Contactors (6~16A)

Catalogue No.	Model	Coil Voltage (V)	Hz	No. of Auxiliary Contact	Pole	Page No.
1269009900	GMC-9M	AC500V	50/60Hz	1a	3P	11/12
1269010000	GMC-9M	AC550V	50/60Hz	1a	3P	11/12
1269010100	GMC-9M	AC24V	50/60Hz	1b	3P	11/12
1269010200	GMC-9M	AC36V	50/60Hz	1b	3P	11/12
1269010300	GMC-9M	AC42V	50/60Hz	1b	3P	11/12
1269010400	GMC-9M	AC48V	50/60Hz	1b	3P	11/12
1269010500	GMC-9M	AC110V	50/60Hz	1b	3P	11/12
1269010600	GMC-9M	AC115V	50/60Hz	1b	3P	11/12
1269010700	GMC-9M	AC120V	50/60Hz	1b	3P	11/12
1269010800	GMC-9M	AC127V	50/60Hz	1b	3P	11/12
1269038300	GMC-9M	AC200V	50/60Hz	1b	3P	11/12
1269011000	GMC-9M	AC220V	50/60Hz	1b	3P	11/12
1269038400	GMC-9M	AC240V	50/60Hz	1b	3P	11/12
1269011300	GMC-9M	AC256V	50/60Hz	1b	3P	11/12
1269011400	GMC-9M	AC277V	50/60Hz	1b	3P	11/12
1269033400	GMC-9M	AC380V	50/60Hz	1b	3P	11/12
1269011600	GMC-9M	AC400V	50/60Hz	1b	3P	11/12
1269011700	GMC-9M	AC440V	50/60Hz	1b	3P	11/12
1269011800	GMC-9M	AC480V	50/60Hz	1b	3P	11/12
1269011900	GMC-9M	AC500V	50/60Hz	1b	3P	11/12
1269012000	GMC-9M	AC550V	50/60Hz	1b	3P	11/12
1269040100	GMC-9MF	AC120V	50/60Hz	1a	3P	11/12
1269016700	GMC-12M	AC24V	50/60Hz	1a	3P	11/12
1269016800	GMC-12M	AC36V	50/60Hz	1a	3P	11/12
1269016900	GMC-12M	AC42V	50/60Hz	1a	3P	11/12
1269017000	GMC-12M	AC48V	50/60Hz	1a	3P	11/12
1269017100	GMC-12M	AC110V	50/60Hz	1a	3P	11/12
1269017200	GMC-12M	AC115V	50/60Hz	1a	3P	11/12
1269017300	GMC-12M	AC120V	50/60Hz	1a	3P	11/12
1269017400	GMC-12M	AC127V	50/60Hz	1a	3P	11/12
1269034600	GMC-12M	AC200V	50/60Hz	1a	3P	11/12
1269017600	GMC-12M	AC220V	50/60Hz	1a	3P	11/12
1269038900	GMC-12M	AC240V	50/60Hz	1a	3P	11/12
1269017900	GMC-12M	AC256V	50/60Hz	1a	3P	11/12
1269018000	GMC-12M	AC277V	50/60Hz	1a	3P	11/12
1269033700	GMC-12M	AC380V	50/60Hz	1a	3P	11/12
1269018200	GMC-12M	AC400V	50/60Hz	1a	3P	11/12
1269018300	GMC-12M	AC440V	50/60Hz	1a	3P	11/12
1269018400	GMC-12M	AC480V	50/60Hz	1a	3P	11/12
1269018500	GMC-12M	AC500V	50/60Hz	1a	3P	11/12
1269018600	GMC-12M	AC550V	50/60Hz	1a	3P	11/12
1269018800	GMC-12M	AC24V	50/60Hz	1b	3P	11/12
1269018900	GMC-12M	AC36V	50/60Hz	1b	3P	11/12
1269019000	GMC-12M	AC42V	50/60Hz	1b	3P	11/12
1269019100	GMC-12M	AC48V	50/60Hz	1b	3P	11/12
1269019200	GMC-12M	AC110V	50/60Hz	1b	3P	11/12
1269019300	GMC-12M	AC115V	50/60Hz	1b	3P	11/12
1269019400	GMC-12M	AC120V	50/60Hz	1b	3P	11/12
1269019500	GMC-12M	AC127V	50/60Hz	1b	3P	11/12
1269039000	GMC-12M	AC200V	50/60Hz	1b	3P	11/12
1269019700	GMC-12M	AC220V	50/60Hz	1b	3P	11/12
1269039100	GMC-12M	AC240V	50/60Hz	1b	3P	11/12
1269020000	GMC-12M	AC256V	50/60Hz	1b	3P	11/12
1269020100	GMC-12M	AC277V	50/60Hz	1b	3P	11/12
1269033800	GMC-12M	AC380V	50/60Hz	1b	3P	11/12

# Catalogue numbers index

## Mini Contactors

### 3-pole AC operating Mini Contactors (6~16A)

Catalogue No.	Model	Coil Voltage (V)	Hz	No. of Auxiliary Contact	Pole	Page No.
1269020300	GMC-12M	AC400V	50/60Hz	1b	3P	11
1269020400	GMC-12M	AC440V	50/60Hz	1b	3P	11
1269020500	GMC-12M	AC480V	50/60Hz	1b	3P	11
1269020600	GMC-12M	AC500V	50/60Hz	1b	3P	11
1269020700	GMC-12M	AC550V	50/60Hz	1b	3P	11
1269026800	GMC-16M	AC24V	50/60Hz	1a	3P	11
1269026900	GMC-16M	AC36V	50/60Hz	1a	3P	11
1269027000	GMC-16M	AC42V	50/60Hz	1a	3P	11
1269027100	GMC-16M	AC48V	50/60Hz	1a	3P	11
1269027200	GMC-16M	AC110V	50/60Hz	1a	3P	11
1269027300	GMC-16M	AC115V	50/60Hz	1a	3P	11
1269027400	GMC-16M	AC120V	50/60Hz	1a	3P	11
1269027500	GMC-16M	AC127V	50/60Hz	1a	3P	11
1269034700	GMC-16M	AC200V	50/60Hz	1a	3P	11
1269027700	GMC-16M	AC220V	50/60Hz	1a	3P	11
1269047600	GMC-16M	AC230V	50/60Hz	1a	3P	11
1269039600	GMC-16M	AC240V	50/60Hz	1a	3P	11
1269028000	GMC-16M	AC256V	50/60Hz	1a	3P	11
1269028100	GMC-16M	AC277V	50/60Hz	1a	3P	11
1269034100	GMC-16M	AC380V	50/60Hz	1a	3P	11
1269028300	GMC-16M	AC400V	50/60Hz	1a	3P	11
1269028400	GMC-16M	AC440V	50/60Hz	1a	3P	11
1269028500	GMC-16M	AC480V	50/60Hz	1a	3P	11
1269028600	GMC-16M	AC500V	50/60Hz	1a	3P	11
1269028700	GMC-16M	AC550V	50/60Hz	1a	3P	11
1269028800	GMC-16M	AC24V	50/60Hz	1b	3P	11
1269028900	GMC-16M	AC36V	50/60Hz	1b	3P	11
1269029000	GMC-16M	AC42V	50/60Hz	1b	3P	11
1269029100	GMC-16M	AC48V	50/60Hz	1b	3P	11
1269029200	GMC-16M	AC110V	50/60Hz	1b	3P	11
1269029300	GMC-16M	AC115V	50/60Hz	1b	3P	11
1269029400	GMC-16M	AC120V	50/60Hz	1b	3P	11
1269029500	GMC-16M	AC127V	50/60Hz	1b	3P	11
1269039700	GMC-16M	AC200V	50/60Hz	1b	3P	11
1269029700	GMC-16M	AC220V	50/60Hz	1b	3P	11
1269039800	GMC-16M	AC240V	50/60Hz	1b	3P	11
1269030000	GMC-16M	AC256V	50/60Hz	1b	3P	11
1269030100	GMC-16M	AC277V	50/60Hz	1b	3P	11
1269034200	GMC-16M	AC380V	50/60Hz	1b	3P	11
1269030300	GMC-16M	AC400V	50/60Hz	1b	3P	11
1269030400	GMC-16M	AC440V	50/60Hz	1b	3P	11
1269030500	GMC-16M	AC480V	50/60Hz	1b	3P	11
1269030600	GMC-16M	AC500V	50/60Hz	1b	3P	11
1269030700	GMC-16M	AC550V	50/60Hz	1b	3P	11
1269047800	GMC-9MP	AC230V	50/60Hz	1a	3P	11
1269047500	GMC-12MP	AC230V	50/60Hz	1a	3P	11
1269043700	GMC-16MP	AC120V	50/60Hz	1a	3P	11
1269045000	GMC-16MP	AC120V	50/60Hz	1b	3P	11
1269047700	GMC-12MF	AC230V	50/60Hz	1a	3P	11
1269040200	GMC-16MF	AC120V	50/60Hz	1a	3P	11
1269048400	GMC-16MF	AC24V	50/60Hz	1b	3P	11
1269048500	GMC-16MF	AC120V	50/60Hz	1b	3P	11
1269040400	GMC-16MC	AC120V	50/60Hz	1a	3P	11
1269047900	GMC-16MC	AC230V	50/60Hz	1a	3P	11

### 3-pole DC operating Mini Contactors (6~16A)

Catalogue No.	Model	Coil Voltage (V)	Coil consumption	No. of Auxiliary Contact	Pole	Page No.
1270004300	GMD-6M	DC12V	1.2W	1a	3P	11
1270004400	GMD-6M	DC20V	1.2W	1a	3P	11
1270004500	GMD-6M	DC24V	1.2W	1a	3P	11
1270004600	GMD-6M	DC48V	1.2W	1a	3P	11
1270004700	GMD-6M	DC72V	1.2W	1a	3P	11
1270004800	GMD-6M	DC110V	1.2W	1a	3P	11
1270004900	GMD-6M	DC120V	1.2W	1a	3P	11
1270007100	GMD-6M	DC12V	1.2W	1b	3P	11
1270007200	GMD-6M	DC20V	1.2W	1b	3P	11
1270007300	GMD-6M	DC24V	1.2W	1b	3P	11
1270007400	GMD-6M	DC48V	1.2W	1b	3P	11
1270007500	GMD-6M	DC72V	1.2W	1b	3P	11
1270007600	GMD-6M	DC110V	1.2W	1b	3P	11
1270007700	GMD-6M	DC120V	1.2W	1b	3P	11
1270005000	GMD-6M	DC12V	2W	1a	3P	11
1270005100	GMD-6M	DC20V	2W	1a	3P	11
1270005200	GMD-6M	DC24V	2W	1a	3P	11
1270005300	GMD-6M	DC48V	2W	1a	3P	11
1270005400	GMD-6M	DC72V	2W	1a	3P	11
1270005500	GMD-6M	DC110V	2W	1a	3P	11
1270005600	GMD-6M	DC120V	2W	1a	3P	11
1270007800	GMD-6M	DC12V	2W	1b	3P	11
1270007900	GMD-6M	DC20V	2W	1b	3P	11
1270008000	GMD-6M	DC24V	2W	1b	3P	11
1270008100	GMD-6M	DC48V	2W	1b	3P	11
1270008200	GMD-6M	DC72V	2W	1b	3P	11
1270008300	GMD-6M	DC110V	2W	1b	3P	11
1270008400	GMD-6M	DC120V	2W	1b	3P	11
1270002900	GMD-6M	DC12V	3W	1a	3P	11
1270003000	GMD-6M	DC20V	3W	1a	3P	11
1270003100	GMD-6M	DC24V	3W	1a	3P	11
1270003200	GMD-6M	DC36V	3W	1a	3P	11
1270003300	GMD-6M	DC42V	3W	1a	3P	11
1270003400	GMD-6M	DC48V	3W	1a	3P	11
1270003500	GMD-6M	DC60V	3W	1a	3P	11
1270003600	GMD-6M	DC72V	3W	1a	3P	11
1270003700	GMD-6M	DC110V	3W	1a	3P	11
1270003800	GMD-6M	DC120V	3W	1a	3P	11
1270003900	GMD-6M	DC125V	3W	1a	3P	11
1270004000	GMD-6M	DC220V	3W	1a	3P	11
1270004100	GMD-6M	DC240V	3W	1a	3P	11
1270004200	GMD-6M	DC250V	3W	1a	3P	11
1270005700	GMD-6M	DC12V	3W	1b	3P	11
1270005800	GMD-6M	DC20V	3W	1b	3P	11
1270005900	GMD-6M	DC24V	3W	1b	3P	11
1270006000	GMD-6M	DC36V	3W	1b	3P	11
1270006100	GMD-6M	DC42V	3W	1b	3P	11
1270006200	GMD-6M	DC48V	3W	1b	3P	11
1270006300	GMD-6M	DC60V	3W	1b	3P	11
1270006400	GMD-6M	DC72V	3W	1b	3P	11
1270006500	GMD-6M	DC110V	3W	1b	3P	11
1270006600	GMD-6M	DC120V	3W	1b	3P	11
1270006700	GMD-6M	DC125V	3W	1b	3P	11
1270006800	GMD-6M	DC220V	3W	1b	3P	11
1270006900	GMD-6M	DC240V	3W	1b	3P	11
1270007000	GMD-6M	DC250V	3W	1b	3P	11
1270015500	GMD-9M	DC12V	1.2W	1a	3P	11

# Catalogue numbers index

## Mini Contactors

### 3-pole DC operating Mini Contactors (6~16A)

Catalogue No.	Model	Coil Voltage (V)	Coil consumption	No. of Auxiliary Contact	Pole	Page No.
1270015600	GMD-9M	DC20V	1.2W	1a	3P	11
1270015700	GMD-9M	DC24V	1.2W	1a	3P	11
1270015800	GMD-9M	DC48V	1.2W	1a	3P	11
1270015900	GMD-9M	DC72V	1.2W	1a	3P	11
1270016000	GMD-9M	DC110V	1.2W	1a	3P	11
1270016100	GMD-9M	DC120V	1.2W	1a	3P	11
1270018600	GMD-9M	DC12V	1.2W	1b	3P	11
1270018700	GMD-9M	DC20V	1.2W	1b	3P	11
1270018800	GMD-9M	DC24V	1.2W	1b	3P	11
1270018900	GMD-9M	DC48V	1.2W	1b	3P	11
1270019000	GMD-9M	DC72V	1.2W	1b	3P	11
1270019100	GMD-9M	DC110V	1.2W	1b	3P	11
1270019200	GMD-9M	DC120V	1.2W	1b	3P	11
1270016200	GMD-9M	DC12V	2W	1a	3P	11
1270016300	GMD-9M	DC20V	2W	1a	3P	11
1270016400	GMD-9M	DC24V	2W	1a	3P	11
1270016500	GMD-9M	DC48V	2W	1a	3P	11
1270016600	GMD-9M	DC72V	2W	1a	3P	11
1270016700	GMD-9M	DC110V	2W	1a	3P	11
1270016800	GMD-9M	DC120V	2W	1a	3P	11
1270019300	GMD-9M	DC12V	2W	1b	3P	11
1270019400	GMD-9M	DC20V	2W	1b	3P	11
1270019500	GMD-9M	DC24V	2W	1b	3P	11
1270019600	GMD-9M	DC48V	2W	1b	3P	11
1270019700	GMD-9M	DC72V	2W	1b	3P	11
1270019800	GMD-9M	DC110V	2W	1b	3P	11
1270019900	GMD-9M	DC120V	2W	1b	3P	11
1270014100	GMD-9M	DC12V	3W	1a	3P	11
1270014200	GMD-9M	DC20V	3W	1a	3P	11
1270014300	GMD-9M	DC24V	3W	1a	3P	11
1270014400	GMD-9M	DC36V	3W	1a	3P	11
1270014500	GMD-9M	DC42V	3W	1a	3P	11
1270014600	GMD-9M	DC48V	3W	1a	3P	11
1270014700	GMD-9M	DC60V	3W	1a	3P	11
1270014800	GMD-9M	DC72V	3W	1a	3P	11
1270014900	GMD-9M	DC110V	3W	1a	3P	11
1270015000	GMD-9M	DC120V	3W	1a	3P	11
1270015100	GMD-9M	DC125V	3W	1a	3P	11
1270015200	GMD-9M	DC220V	3W	1a	3P	11
1270015300	GMD-9M	DC240V	3W	1a	3P	11
1270015400	GMD-9M	DC250V	3W	1a	3P	11
1270017200	GMD-9M	DC12V	3W	1b	3P	11
1270017300	GMD-9M	DC20V	3W	1b	3P	11
1270017400	GMD-9M	DC24V	3W	1b	3P	11
1270017500	GMD-9M	DC36V	3W	1b	3P	11
1270017600	GMD-9M	DC42V	3W	1b	3P	11
1270017700	GMD-9M	DC48V	3W	1b	3P	11
1270017800	GMD-9M	DC60V	3W	1b	3P	11
1270017900	GMD-9M	DC72V	3W	1b	3P	11
1270018000	GMD-9M	DC110V	3W	1b	3P	11
1270018100	GMD-9M	DC120V	3W	1b	3P	11
1270018200	GMD-9M	DC125V	3W	1b	3P	11
1270018300	GMD-9M	DC220V	3W	1b	3P	11
1270018400	GMD-9M	DC240V	3W	1b	3P	11
1270018500	GMD-9M	DC250V	3W	1b	3P	11
1270027000	GMD-12M	DC12V	1.2W	1a	3P	11
1270027100	GMD-12M	DC20V	1.2W	1a	3P	11

### 3-pole DC operating Mini Contactors (6~16A)

Catalogue No.	Model	Coil Voltage (V)	Coil consumption	No. of Auxiliary Contact	Pole	Page No.
1270027200	GMD-12M	DC24V	1.2W	1a	3P	AA000000
1270027300	GMD-12M	DC48V	1.2W	1a	3P	AA000000
1270027400	GMD-12M	DC72V	1.2W	1a	3P	AA000000
1270027500	GMD-12M	DC110V	1.2W	1a	3P	AA000000
1270027600	GMD-12M	DC120V	1.2W	1a	3P	AA000000
1270029800	GMD-12M	DC12V	1.2W	1b	3P	AA000000
1270029900	GMD-12M	DC20V	1.2W	1b	3P	AA000000
1270030000	GMD-12M	DC24V	1.2W	1b	3P	AA000000
1270030100	GMD-12M	DC48V	1.2W	1b	3P	AA000000
1270030200	GMD-12M	DC72V	1.2W	1b	3P	AA000000
1270030300	GMD-12M	DC110V	1.2W	1b	3P	AA000000
1270030400	GMD-12M	DC120V	1.2W	1b	3P	AA000000
1270027700	GMD-12M	DC12V	2W	1a	3P	AA000000
1270027800	GMD-12M	DC20V	2W	1a	3P	AA000000
1270027900	GMD-12M	DC24V	2W	1a	3P	AA000000
1270028000	GMD-12M	DC48V	2W	1a	3P	AA000000
1270028100	GMD-12M	DC72V	2W	1a	3P	AA000000
1270028200	GMD-12M	DC110V	2W	1a	3P	AA000000
1270028300	GMD-12M	DC120V	2W	1a	3P	AA000000
1270030500	GMD-12M	DC12V	2W	1b	3P	AA000000
1270030600	GMD-12M	DC20V	2W	1b	3P	AA000000
1270030700	GMD-12M	DC24V	2W	1b	3P	AA000000
1270030800	GMD-12M	DC48V	2W	1b	3P	AA000000
1270030900	GMD-12M	DC72V	2W	1b	3P	AA000000
1270031000	GMD-12M	DC110V	2W	1b	3P	AA000000
1270031100	GMD-12M	DC120V	2W	1b	3P	AA000000
1270025600	GMD-12M	DC12V	3W	1a	3P	AA000000
1270025700	GMD-12M	DC20V	3W	1a	3P	AA000000
1270025800	GMD-12M	DC24V	3W	1a	3P	AA000000
1270025900	GMD-12M	DC36V	3W	1a	3P	AA000000
1270026000	GMD-12M	DC42V	3W	1a	3P	AA000000
1270026100	GMD-12M	DC48V	3W	1a	3P	AA000000
1270026200	GMD-12M	DC60V	3W	1a	3P	AA000000
1270026300	GMD-12M	DC72V	3W	1a	3P	AA000000
1270026400	GMD-12M	DC110V	3W	1a	3P	AA000000
1270026500	GMD-12M	DC120V	3W	1a	3P	AA000000
1270026600	GMD-12M	DC125V	3W	1a	3P	AA000000
1270026700	GMD-12M	DC220V	3W	1a	3P	AA000000
1270026800	GMD-12M	DC240V	3W	1a	3P	AA000000
1270026900	GMD-12M	DC250V	3W	1a	3P	AA000000
1270028400	GMD-12M	DC12V	3W	1b	3P	AA000000
1270028500	GMD-12M	DC20V	3W	1b	3P	AA000000
1270028600	GMD-12M	DC24V	3W	1b	3P	AA000000
1270028700	GMD-12M	DC36V	3W	1b	3P	AA000000
1270028800	GMD-12M	DC42V	3W	1b	3P	AA000000
1270028900	GMD-12M	DC48V	3W	1b	3P	AA000000
1270029000	GMD-12M	DC60V	3W	1b	3P	AA000000
1270029100	GMD-12M	DC72V	3W	1b	3P	AA000000
1270029200	GMD-12M	DC110V	3W	1b	3P	AA000000
1270029300	GMD-12M	DC120V	3W	1b	3P	AA000000
1270029400	GMD-12M	DC125V	3W	1b	3P	AA000000
1270029500	GMD-12M	DC220V	3W	1b	3P	AA000000
1270029600	GMD-12M	DC240V	3W	1b	3P	AA000000
1270029700	GMD-12M	DC250V	3W	1b	3P	AA000000
1270038300	GMD-16M	DC12V	1.2W	1a	3P	AA000000
1270038400	GMD-16M	DC20V	1.2W	1a	3P	AA000000
1270038500	GMD-16M	DC24V	1.2W	1a	3P	AA000000

# Catalogue numbers index

## Mini Contactors

### 3-pole DC operating Mini Contactors (6~16A)

Catalogue No.	Model	Coil Voltage (V)	Coil consumption	No. of Auxiliary Contact	Pole	Page No.
1270038600	GMD-16M	DC48V	1.2W	1a	3P	11
1270038700	GMD-16M	DC72V	1.2W	1a	3P	11
1270038800	GMD-16M	DC110V	1.2W	1a	3P	11
1270038900	GMD-16M	DC120V	1.2W	1a	3P	11
1270041100	GMD-16M	DC12V	1.2W	1b	3P	11
1270041200	GMD-16M	DC20V	1.2W	1b	3P	11
1270041300	GMD-16M	DC24V	1.2W	1b	3P	11
1270041400	GMD-16M	DC48V	1.2W	1b	3P	11
1270041500	GMD-16M	DC72V	1.2W	1b	3P	11
1270041600	GMD-16M	DC110V	1.2W	1b	3P	11
1270041700	GMD-16M	DC120V	1.2W	1b	3P	11
1270039000	GMD-16M	DC12V	2W	1a	3P	11
1270039100	GMD-16M	DC20V	2W	1a	3P	11
1270039200	GMD-16M	DC24V	2W	1a	3P	11
1270039300	GMD-16M	DC48V	2W	1a	3P	11
1270039400	GMD-16M	DC72V	2W	1a	3P	11
1270039500	GMD-16M	DC110V	2W	1a	3P	11
1270039600	GMD-16M	DC120V	2W	1a	3P	11
1270041800	GMD-16M	DC12V	2W	1b	3P	11
1270041900	GMD-16M	DC20V	2W	1b	3P	11
1270042000	GMD-16M	DC24V	2W	1b	3P	11
1270042100	GMD-16M	DC48V	2W	1b	3P	11
1270042200	GMD-16M	DC72V	2W	1b	3P	11
1270042300	GMD-16M	DC110V	2W	1b	3P	11
1270042400	GMD-16M	DC120V	2W	1b	3P	11
1270036900	GMD-16M	DC12V	3W	1a	3P	11
1270037000	GMD-16M	DC20V	3W	1a	3P	11
1270037100	GMD-16M	DC24V	3W	1a	3P	11
1270037200	GMD-16M	DC36V	3W	1a	3P	11
1270037300	GMD-16M	DC42V	3W	1a	3P	11
1270037400	GMD-16M	DC48V	3W	1a	3P	11
1270037500	GMD-16M	DC60V	3W	1a	3P	11
1270037600	GMD-16M	DC72V	3W	1a	3P	11
1270037700	GMD-16M	DC110V	3W	1a	3P	11
1270037800	GMD-16M	DC120V	3W	1a	3P	11
1270037900	GMD-16M	DC125V	3W	1a	3P	11
1270038000	GMD-16M	DC220V	3W	1a	3P	11
1270038100	GMD-16M	DC240V	3W	1a	3P	11
1270038200	GMD-16M	DC250V	3W	1a	3P	11
1270039700	GMD-16M	DC12V	3W	1b	3P	11
1270039800	GMD-16M	DC20V	3W	1b	3P	11
1270039900	GMD-16M	DC24V	3W	1b	3P	11
1270040000	GMD-16M	DC36V	3W	1b	3P	11
1270040100	GMD-16M	DC42V	3W	1b	3P	11
1270040200	GMD-16M	DC48V	3W	1b	3P	11
1270040300	GMD-16M	DC60V	3W	1b	3P	11
1270040400	GMD-16M	DC72V	3W	1b	3P	11
1270040500	GMD-16M	DC110V	3W	1b	3P	11
1270040600	GMD-16M	DC120V	3W	1b	3P	11
1270040700	GMD-16M	DC125V	3W	1b	3P	11
1270040800	GMD-16M	DC220V	3W	1b	3P	11
1270040900	GMD-16M	DC240V	3W	1b	3P	11
1270041000	GMD-16M	DC250V	3W	1b	3P	11
1270047300	GMD-6MF	DC220V	3W	1a	3P	11
1270046200	GMD-9MP	DC24V	3W	1a	3P	11
1270045900	GMD-12MP	DC24V	1.2W	1a	3P	11
1270046000	GMD-9MR	DC60V	3W	2b	3P	11



## 4-pole AC operating Mini Contactors (6~16A)

Catalogue No.	Model	Coil Voltage (V)	Hz	Main Contact	Pole	Page No.
1269004100	GMC-6M	AC24V	50/60Hz	2a2b	4P	
1269004200	GMC-6M	AC36V	50/60Hz	2a2b	4P	
1269004300	GMC-6M	AC42V	50/60Hz	2a2b	4P	
1269004400	GMC-6M	AC48V	50/60Hz	2a2b	4P	
1269004500	GMC-6M	AC110V	50/60Hz	2a2b	4P	
1269004600	GMC-6M	AC115V	50/60Hz	2a2b	4P	
1269004700	GMC-6M	AC120V	50/60Hz	2a2b	4P	
1269004800	GMC-6M	AC127V	50/60Hz	2a2b	4P	
1269037800	GMC-6M	AC200V	50/60Hz	2a2b	4P	
1269005000	GMC-6M	AC220V	50/60Hz	2a2b	4P	
1269037900	GMC-6M	AC240V	50/60Hz	2a2b	4P	
1269005300	GMC-6M	AC256V	50/60Hz	2a2b	4P	
1269005400	GMC-6M	AC277V	50/60Hz	2a2b	4P	
1269033100	GMC-6M	AC380V	50/60Hz	2a2b	4P	
1269005600	GMC-6M	AC400V	50/60Hz	2a2b	4P	
1269005700	GMC-6M	AC440V	50/60Hz	2a2b	4P	
1269005800	GMC-6M	AC480V	50/60Hz	2a2b	4P	
1269005900	GMC-6M	AC500V	50/60Hz	2a2b	4P	
1269006000	GMC-6M	AC550V	50/60Hz	2a2b	4P	
1269000100	GMC-6M	AC24V	50/60Hz	4a	4P	
1269000200	GMC-6M	AC36V	50/60Hz	4a	4P	
1269000300	GMC-6M	AC42V	50/60Hz	4a	4P	
1269000400	GMC-6M	AC48V	50/60Hz	4a	4P	
1269000500	GMC-6M	AC110V	50/60Hz	4a	4P	
1269000600	GMC-6M	AC115V	50/60Hz	4a	4P	
1269000700	GMC-6M	AC120V	50/60Hz	4a	4P	
1269000800	GMC-6M	AC127V	50/60Hz	4a	4P	
1269037300	GMC-6M	AC200V	50/60Hz	4a	4P	
1269001000	GMC-6M	AC220V	50/60Hz	4a	4P	
1269037400	GMC-6M	AC240V	50/60Hz	4a	4P	
1269001300	GMC-6M	AC256V	50/60Hz	4a	4P	
1269001400	GMC-6M	AC277V	50/60Hz	4a	4P	
1269032800	GMC-6M	AC380V	50/60Hz	4a	4P	
1269001600	GMC-6M	AC400V	50/60Hz	4a	4P	
1269001700	GMC-6M	AC440V	50/60Hz	4a	4P	
1269001800	GMC-6M	AC480V	50/60Hz	4a	4P	
1269001900	GMC-6M	AC500V	50/60Hz	4a	4P	
1269002000	GMC-6M	AC550V	50/60Hz	4a	4P	
1269012100	GMC-9M	AC24V	50/60Hz	2a2b	4P	
1269012200	GMC-9M	AC36V	50/60Hz	2a2b	4P	
1269012300	GMC-9M	AC42V	50/60Hz	2a2b	4P	
1269012400	GMC-9M	AC48V	50/60Hz	2a2b	4P	
1269012500	GMC-9M	AC110V	50/60Hz	2a2b	4P	
1269012600	GMC-9M	AC115V	50/60Hz	2a2b	4P	
1269012700	GMC-9M	AC120V	50/60Hz	2a2b	4P	
1269012800	GMC-9M	AC127V	50/60Hz	2a2b	4P	
1269038500	GMC-9M	AC200V	50/60Hz	2a2b	4P	
1269013000	GMC-9M	AC220V	50/60Hz	2a2b	4P	
1269038600	GMC-9M	AC240V	50/60Hz	2a2b	4P	
1269013300	GMC-9M	AC256V	50/60Hz	2a2b	4P	
1269013400	GMC-9M	AC277V	50/60Hz	2a2b	4P	
1269033500	GMC-9M	AC380V	50/60Hz	2a2b	4P	
1269013600	GMC-9M	AC400V	50/60Hz	2a2b	4P	
1269013700	GMC-9M	AC440V	50/60Hz	2a2b	4P	
1269013800	GMC-9M	AC480V	50/60Hz	2a2b	4P	

# Catalogue numbers index

## Mini Contactors

### 4-pole AC operating Mini Contactors (6~16A)

Catalogue No.	Model	Coil Voltage (V)	Hz	Main Contact	Pole	Page No.
1269013900	GMC-9M	AC500V	50/60Hz	2a2b	4P	
1269014000	GMC-9M	AC550V	50/60Hz	2a2b	4P	
1269006100	GMC-9M	AC24V	50/60Hz	4a	4P	
1269006200	GMC-9M	AC36V	50/60Hz	4a	4P	
1269006300	GMC-9M	AC42V	50/60Hz	4a	4P	
1269006400	GMC-9M	AC48V	50/60Hz	4a	4P	
1269006500	GMC-9M	AC110V	50/60Hz	4a	4P	
1269006600	GMC-9M	AC115V	50/60Hz	4a	4P	
1269006700	GMC-9M	AC120V	50/60Hz	4a	4P	
1269006800	GMC-9M	AC127V	50/60Hz	4a	4P	
1269038000	GMC-9M	AC200V	50/60Hz	4a	4P	
1269007000	GMC-9M	AC220V	50/60Hz	4a	4P	
1269038100	GMC-9M	AC240V	50/60Hz	4a	4P	
1269007300	GMC-9M	AC256V	50/60Hz	4a	4P	
1269007400	GMC-9M	AC277V	50/60Hz	4a	4P	
1269033200	GMC-9M	AC380V	50/60Hz	4a	4P	
1269007600	GMC-9M	AC400V	50/60Hz	4a	4P	
1269007700	GMC-9M	AC440V	50/60Hz	4a	4P	
1269007800	GMC-9M	AC480V	50/60Hz	4a	4P	
1269007900	GMC-9M	AC500V	50/60Hz	4a	4P	
1269008000	GMC-9M	AC550V	50/60Hz	4a	4P	
1269020800	GMC-12M	AC24V	50/60Hz	2a2b	4P	
1269020900	GMC-12M	AC36V	50/60Hz	2a2b	4P	
1269021000	GMC-12M	AC42V	50/60Hz	2a2b	4P	
1269021100	GMC-12M	AC48V	50/60Hz	2a2b	4P	
1269021200	GMC-12M	AC110V	50/60Hz	2a2b	4P	
1269021300	GMC-12M	AC115V	50/60Hz	2a2b	4P	
1269021400	GMC-12M	AC120V	50/60Hz	2a2b	4P	
1269021500	GMC-12M	AC127V	50/60Hz	2a2b	4P	
1269039200	GMC-12M	AC200V	50/60Hz	2a2b	4P	
1269021700	GMC-12M	AC220V	50/60Hz	2a2b	4P	
1269039300	GMC-12M	AC240V	50/60Hz	2a2b	4P	
1269022000	GMC-12M	AC256V	50/60Hz	2a2b	4P	
1269022100	GMC-12M	AC277V	50/60Hz	2a2b	4P	
1269033900	GMC-12M	AC380V	50/60Hz	2a2b	4P	
1269022300	GMC-12M	AC400V	50/60Hz	2a2b	4P	
1269022400	GMC-12M	AC440V	50/60Hz	2a2b	4P	
1269022500	GMC-12M	AC480V	50/60Hz	2a2b	4P	
1269022600	GMC-12M	AC500V	50/60Hz	2a2b	4P	
1269022700	GMC-12M	AC550V	50/60Hz	2a2b	4P	
1269014100	GMC-12M	AC24V	50/60Hz	4a	4P	
1269014200	GMC-12M	AC36V	50/60Hz	4a	4P	
1269014300	GMC-12M	AC42V	50/60Hz	4a	4P	
1269014400	GMC-12M	AC48V	50/60Hz	4a	4P	
1269014500	GMC-12M	AC110V	50/60Hz	4a	4P	
1269014600	GMC-12M	AC115V	50/60Hz	4a	4P	
1269014700	GMC-12M	AC120V	50/60Hz	4a	4P	
1269014800	GMC-12M	AC127V	50/60Hz	4a	4P	
1269038700	GMC-12M	AC200V	50/60Hz	4a	4P	
1269015000	GMC-12M	AC220V	50/60Hz	4a	4P	
1269038800	GMC-12M	AC240V	50/60Hz	4a	4P	
1269015300	GMC-12M	AC256V	50/60Hz	4a	4P	
1269015400	GMC-12M	AC277V	50/60Hz	4a	4P	
1269033600	GMC-12M	AC380V	50/60Hz	4a	4P	
1269016200	GMC-12M	AC400V	50/60Hz	4a	4P	

## 4-pole AC operating Mini Contactors (6~16A)

Catalogue No.	Model	Coil Voltage (V)	Hz	Main Contact	Pole	Page No.
1269016300	GMC-12M	AC440V	50/60Hz	4a	4P	
1269016400	GMC-12M	AC480V	50/60Hz	4a	4P	
1269016500	GMC-12M	AC500V	50/60Hz	4a	4P	
1269030800	GMC-16M	AC24V	50/60Hz	2a2b	4P	
1269030900	GMC-16M	AC36V	50/60Hz	2a2b	4P	
1269031000	GMC-16M	AC42V	50/60Hz	2a2b	4P	
1269031100	GMC-16M	AC48V	50/60Hz	2a2b	4P	
1269031200	GMC-16M	AC110V	50/60Hz	2a2b	4P	
1269031300	GMC-16M	AC115V	50/60Hz	2a2b	4P	
1269031400	GMC-16M	AC120V	50/60Hz	2a2b	4P	
1269031500	GMC-16M	AC127V	50/60Hz	2a2b	4P	
1269039900	GMC-16M	AC200V	50/60Hz	2a2b	4P	
1269031700	GMC-16M	AC220V	50/60Hz	2a2b	4P	
1269040000	GMC-16M	AC240V	50/60Hz	2a2b	4P	
1269032000	GMC-16M	AC256V	50/60Hz	2a2b	4P	
1269032100	GMC-16M	AC277V	50/60Hz	2a2b	4P	
1269034300	GMC-16M	AC380V	50/60Hz	2a2b	4P	
1269032300	GMC-16M	AC400V	50/60Hz	2a2b	4P	
1269032400	GMC-16M	AC440V	50/60Hz	2a2b	4P	
1269032500	GMC-16M	AC480V	50/60Hz	2a2b	4P	
1269032600	GMC-16M	AC500V	50/60Hz	2a2b	4P	
1269032700	GMC-16M	AC550V	50/60Hz	2a2b	4P	
1269024800	GMC-16M	AC24V	50/60Hz	4a	4P	
1269024900	GMC-16M	AC36V	50/60Hz	4a	4P	
1269025000	GMC-16M	AC42V	50/60Hz	4a	4P	
1269025100	GMC-16M	AC48V	50/60Hz	4a	4P	
1269025200	GMC-16M	AC110V	50/60Hz	4a	4P	
1269025300	GMC-16M	AC115V	50/60Hz	4a	4P	
1269025400	GMC-16M	AC120V	50/60Hz	4a	4P	
1269025500	GMC-16M	AC127V	50/60Hz	4a	4P	
1269039400	GMC-16M	AC200V	50/60Hz	4a	4P	
1269025700	GMC-16M	AC220V	50/60Hz	4a	4P	
1269039500	GMC-16M	AC240V	50/60Hz	4a	4P	
1269026000	GMC-16M	AC256V	50/60Hz	4a	4P	
1269026100	GMC-16M	AC277V	50/60Hz	4a	4P	
1269034000	GMC-16M	AC380V	50/60Hz	4a	4P	
1269026300	GMC-16M	AC400V	50/60Hz	4a	4P	
1269026400	GMC-16M	AC440V	50/60Hz	4a	4P	
1269026500	GMC-16M	AC480V	50/60Hz	4a	4P	
1269026600	GMC-16M	AC500V	50/60Hz	4a	4P	
1269026700	GMC-16M	AC550V	50/60Hz	4a	4P	

# Catalogue numbers index

## Mini Contactors

### 4-pole DC operating Mini Contactors (6~16A)

Catalogue No.	Model	Coil Voltage (V)	Coil consumption	Main Contact	Pole	Page No.
1270009900	GMD-6M	DC12V	1.2W	2a2b	4P	
1270010000	GMD-6M	DC20V	1.2W	2a2b	4P	
1270010100	GMD-6M	DC24V	1.2W	2a2b	4P	
1270010200	GMD-6M	DC48V	1.2W	2a2b	4P	
1270010300	GMD-6M	DC72V	1.2W	2a2b	4P	
1270010400	GMD-6M	DC110V	1.2W	2a2b	4P	
1270010500	GMD-6M	DC120V	1.2W	2a2b	4P	
1270001500	GMD-6M	DC12V	1.2W	4a	4P	
1270001600	GMD-6M	DC20V	1.2W	4a	4P	
1270001700	GMD-6M	DC24V	1.2W	4a	4P	
1270001800	GMD-6M	DC48V	1.2W	4a	4P	
1270001900	GMD-6M	DC72V	1.2W	4a	4P	
1270002000	GMD-6M	DC110V	1.2W	4a	4P	
1270002100	GMD-6M	DC120V	1.2W	4a	4P	
1270010600	GMD-6M	DC12V	2W	2a2b	4P	
1270010700	GMD-6M	DC20V	2W	2a2b	4P	
1270010800	GMD-6M	DC24V	2W	2a2b	4P	
1270010900	GMD-6M	DC48V	2W	2a2b	4P	
1270011000	GMD-6M	DC72V	2W	2a2b	4P	
1270011100	GMD-6M	DC110V	2W	2a2b	4P	
1270011200	GMD-6M	DC120V	2W	2a2b	4P	
1270002200	GMD-6M	DC12V	2W	4a	4P	
1270002300	GMD-6M	DC20V	2W	4a	4P	
1270002400	GMD-6M	DC24V	2W	4a	4P	
1270002500	GMD-6M	DC48V	2W	4a	4P	
1270002600	GMD-6M	DC72V	2W	4a	4P	
1270002700	GMD-6M	DC110V	2W	4a	4P	
1270002800	GMD-6M	DC120V	2W	4a	4P	
1270000100	GMD-6M	DC12V	3W	4a	4P	
1270000200	GMD-6M	DC20V	3W	4a	4P	
1270000300	GMD-6M	DC24V	3W	4a	4P	
1270000400	GMD-6M	DC36V	3W	4a	4P	
1270000500	GMD-6M	DC42V	3W	4a	4P	
1270000600	GMD-6M	DC48V	3W	4a	4P	
1270000700	GMD-6M	DC60V	3W	4a	4P	
1270000800	GMD-6M	DC72V	3W	4a	4P	
1270000900	GMD-6M	DC110V	3W	4a	4P	
1270001000	GMD-6M	DC120V	3W	4a	4P	
1270001100	GMD-6M	DC125V	3W	4a	4P	
1270001200	GMD-6M	DC220V	3W	4a	4P	
1270001300	GMD-6M	DC240V	3W	4a	4P	
1270001400	GMD-6M	DC250V	3W	4a	4P	
1270008500	GMD-6M	DC12V	3W	2a2b	4P	
1270008600	GMD-6M	DC20V	3W	2a2b	4P	
1270008700	GMD-6M	DC24V	3W	2a2b	4P	
1270008800	GMD-6M	DC36V	3W	2a2b	4P	
1270008900	GMD-6M	DC42V	3W	2a2b	4P	
1270009000	GMD-6M	DC48V	3W	2a2b	4P	
1270009100	GMD-6M	DC60V	3W	2a2b	4P	
1270009200	GMD-6M	DC72V	3W	2a2b	4P	
1270009300	GMD-6M	DC110V	3W	2a2b	4P	
1270009400	GMD-6M	DC120V	3W	2a2b	4P	
1270009500	GMD-6M	DC125V	3W	2a2b	4P	
1270009600	GMD-6M	DC220V	3W	2a2b	4P	
1270009700	GMD-6M	DC240V	3W	2a2b	4P	
1270009800	GMD-6M	DC250V	3W	2a2b	4P	
1270021400	GMD-9M	DC12V	1.2W	2a2b	4P	
1270021500	GMD-9M	DC20V	1.2W	2a2b	4P	

## 4-pole DC operating Mini Contactors (6~16A)

Catalogue No.	Model	Coil Voltage (V)	Coil consumption	Main Contact	Pole	Page No.
1270021600	GMD-9M	DC24V	1.2W	2a2b	4P	
1270021700	GMD-9M	DC48V	1.2W	2a2b	4P	
1270021800	GMD-9M	DC72V	1.2W	2a2b	4P	
1270021900	GMD-9M	DC110V	1.2W	2a2b	4P	
1270022000	GMD-9M	DC120V	1.2W	2a2b	4P	
1270012700	GMD-9M	DC12V	1.2W	4a	4P	
1270012800	GMD-9M	DC20V	1.2W	4a	4P	
1270012900	GMD-9M	DC24V	1.2W	4a	4P	
1270013000	GMD-9M	DC48V	1.2W	4a	4P	
1270013100	GMD-9M	DC72V	1.2W	4a	4P	
1270013200	GMD-9M	DC110V	1.2W	4a	4P	
1270013300	GMD-9M	DC120V	1.2W	4a	4P	
1270022100	GMD-9M	DC12V	2W	2a2b	4P	
1270022200	GMD-9M	DC20V	2W	2a2b	4P	
1270022300	GMD-9M	DC24V	2W	2a2b	4P	
1270022400	GMD-9M	DC48V	2W	2a2b	4P	
1270022500	GMD-9M	DC72V	2W	2a2b	4P	
1270022600	GMD-9M	DC110V	2W	2a2b	4P	
1270022700	GMD-9M	DC120V	2W	2a2b	4P	
1270013400	GMD-9M	DC12V	2W	4a	4P	
1270013500	GMD-9M	DC20V	2W	4a	4P	
1270013600	GMD-9M	DC24V	2W	4a	4P	
1270013700	GMD-9M	DC48V	2W	4a	4P	
1270013800	GMD-9M	DC72V	2W	4a	4P	
1270013900	GMD-9M	DC110V	2W	4a	4P	
1270014000	GMD-9M	DC120V	2W	4a	4P	
1270011300	GMD-9M	DC12V	3W	4a	4P	
1270011400	GMD-9M	DC20V	3W	4a	4P	
1270011500	GMD-9M	DC24V	3W	4a	4P	
1270011600	GMD-9M	DC36V	3W	4a	4P	
1270011700	GMD-9M	DC42V	3W	4a	4P	
1270011800	GMD-9M	DC48V	3W	4a	4P	
1270011900	GMD-9M	DC60V	3W	4a	4P	
1270012000	GMD-9M	DC72V	3W	4a	4P	
1270012100	GMD-9M	DC110V	3W	4a	4P	
1270012200	GMD-9M	DC120V	3W	4a	4P	
1270012300	GMD-9M	DC125V	3W	4a	4P	
1270012400	GMD-9M	DC220V	3W	4a	4P	
1270012500	GMD-9M	DC240V	3W	4a	4P	
1270012600	GMD-9M	DC250V	3W	4a	4P	
1270020000	GMD-9M	DC12V	3W	2a2b	4P	
1270020100	GMD-9M	DC20V	3W	2a2b	4P	
1270020200	GMD-9M	DC24V	3W	2a2b	4P	
1270020300	GMD-9M	DC36V	3W	2a2b	4P	
1270020400	GMD-9M	DC42V	3W	2a2b	4P	
1270020500	GMD-9M	DC48V	3W	2a2b	4P	
1270020600	GMD-9M	DC60V	3W	2a2b	4P	
1270020700	GMD-9M	DC72V	3W	2a2b	4P	
1270020800	GMD-9M	DC110V	3W	2a2b	4P	
1270020900	GMD-9M	DC120V	3W	2a2b	4P	
1270021000	GMD-9M	DC125V	3W	2a2b	4P	
1270021100	GMD-9M	DC220V	3W	2a2b	4P	
1270021200	GMD-9M	DC240V	3W	2a2b	4P	
1270021300	GMD-9M	DC250V	3W	2a2b	4P	
1270032600	GMD-12M	DC12V	1.2W	2a2b	4P	
1270032700	GMD-12M	DC20V	1.2W	2a2b	4P	
1270032800	GMD-12M	DC24V	1.2W	2a2b	4P	
1270032900	GMD-12M	DC48V	1.2W	2a2b	4P	

# Catalogue numbers index

## Mini Contactors

### 4-pole DC operating Mini Contactors (6~16A)

Catalogue No.	Model	Coil Voltage (V)	Coil consumption	Main Contact	Pole	Page No.
1270033000	GMD-12M	DC72V	1.2W	2a2b	4P	
1270033100	GMD-12M	DC110V	1.2W	2a2b	4P	
1270033200	GMD-12M	DC120V	1.2W	2a2b	4P	
1270024200	GMD-12M	DC12V	1.2W	4a	4P	
1270024300	GMD-12M	DC20V	1.2W	4a	4P	
1270024400	GMD-12M	DC24V	1.2W	4a	4P	
1270024500	GMD-12M	DC48V	1.2W	4a	4P	
1270024600	GMD-12M	DC72V	1.2W	4a	4P	
1270024700	GMD-12M	DC110V	1.2W	4a	4P	
1270024800	GMD-12M	DC120V	1.2W	4a	4P	
1270033300	GMD-12M	DC12V	2W	2a2b	4P	
1270033400	GMD-12M	DC20V	2W	2a2b	4P	
1270033500	GMD-12M	DC24V	2W	2a2b	4P	
1270033600	GMD-12M	DC48V	2W	2a2b	4P	
1270033700	GMD-12M	DC72V	2W	2a2b	4P	
1270033800	GMD-12M	DC110V	2W	2a2b	4P	
1270033900	GMD-12M	DC120V	2W	2a2b	4P	
1270024900	GMD-12M	DC12V	2W	4a	4P	
1270025000	GMD-12M	DC20V	2W	4a	4P	
1270025100	GMD-12M	DC24V	2W	4a	4P	
1270025200	GMD-12M	DC48V	2W	4a	4P	
1270025300	GMD-12M	DC72V	2W	4a	4P	
1270025400	GMD-12M	DC110V	2W	4a	4P	
1270025500	GMD-12M	DC120V	2W	4a	4P	
1270031200	GMD-12M	DC12V	3W	2a2b	4P	
1270031300	GMD-12M	DC20V	3W	2a2b	4P	
1270031400	GMD-12M	DC24V	3W	2a2b	4P	
1270031500	GMD-12M	DC36V	3W	2a2b	4P	
1270031600	GMD-12M	DC42V	3W	2a2b	4P	
1270031700	GMD-12M	DC48V	3W	2a2b	4P	
1270031800	GMD-12M	DC60V	3W	2a2b	4P	
1270031900	GMD-12M	DC72V	3W	2a2b	4P	
1270032000	GMD-12M	DC110V	3W	2a2b	4P	
1270032100	GMD-12M	DC120V	3W	2a2b	4P	
1270032200	GMD-12M	DC125V	3W	2a2b	4P	
1270032300	GMD-12M	DC220V	3W	2a2b	4P	
1270032400	GMD-12M	DC240V	3W	2a2b	4P	
1270032500	GMD-12M	DC250V	3W	2a2b	4P	
1270022800	GMD-12M	DC12V	3W	4a	4P	
1270022900	GMD-12M	DC20V	3W	4a	4P	
1270023000	GMD-12M	DC24V	3W	4a	4P	
1270023100	GMD-12M	DC36V	3W	4a	4P	
1270023200	GMD-12M	DC42V	3W	4a	4P	
1270023300	GMD-12M	DC48V	3W	4a	4P	
1270023400	GMD-12M	DC60V	3W	4a	4P	
1270023500	GMD-12M	DC72V	3W	4a	4P	
1270023600	GMD-12M	DC110V	3W	4a	4P	
1270023700	GMD-12M	DC120V	3W	4a	4P	
1270023800	GMD-12M	DC125V	3W	4a	4P	
1270023900	GMD-12M	DC220V	3W	4a	4P	
1270024000	GMD-12M	DC240V	3W	4a	4P	
1270024100	GMD-12M	DC250V	3W	4a	4P	
1270043900	GMD-16M	DC12V	1.2W	2a2b	4P	
1270044000	GMD-16M	DC20V	1.2W	2a2b	4P	
1270044100	GMD-16M	DC24V	1.2W	2a2b	4P	
1270044200	GMD-16M	DC48V	1.2W	2a2b	4P	
1270044300	GMD-16M	DC72V	1.2W	2a2b	4P	
1270044400	GMD-16M	DC110V	1.2W	2a2b	4P	

## 4-pole DC operating Mini Contactors (6~16A)

Catalogue No.	Model	Coil Voltage (V)	Coil consumption	Main Contact	Pole	Page No.
1270044500	GMD-16M	DC120V	1.2W	2a2b	4P	
1270035500	GMD-16M	DC12V	1.2W	4a	4P	
1270035600	GMD-16M	DC20V	1.2W	4a	4P	
1270035700	GMD-16M	DC24V	1.2W	4a	4P	
1270035800	GMD-16M	DC48V	1.2W	4a	4P	
1270035900	GMD-16M	DC72V	1.2W	4a	4P	
1270036000	GMD-16M	DC110V	1.2W	4a	4P	
1270036100	GMD-16M	DC120V	1.2W	4a	4P	
1270044600	GMD-16M	DC12V	2W	2a2b	4P	
1270044700	GMD-16M	DC20V	2W	2a2b	4P	
1270044800	GMD-16M	DC24V	2W	2a2b	4P	
1270044900	GMD-16M	DC48V	2W	2a2b	4P	
1270045000	GMD-16M	DC72V	2W	2a2b	4P	
1270045100	GMD-16M	DC110V	2W	2a2b	4P	
1270045200	GMD-16M	DC120V	2W	2a2b	4P	
1270036200	GMD-16M	DC12V	2W	4a	4P	
1270036300	GMD-16M	DC20V	2W	4a	4P	
1270036400	GMD-16M	DC24V	2W	4a	4P	
1270036500	GMD-16M	DC48V	2W	4a	4P	
1270036600	GMD-16M	DC72V	2W	4a	4P	
1270036700	GMD-16M	DC110V	2W	4a	4P	
1270036800	GMD-16M	DC120V	2W	4a	4P	
1270042500	GMD-16M	DC12V	3W	2a2b	4P	
1270042600	GMD-16M	DC20V	3W	2a2b	4P	
1270042700	GMD-16M	DC24V	3W	2a2b	4P	
1270042800	GMD-16M	DC36V	3W	2a2b	4P	
1270042900	GMD-16M	DC42V	3W	2a2b	4P	
1270043000	GMD-16M	DC48V	3W	2a2b	4P	
1270043100	GMD-16M	DC60V	3W	2a2b	4P	
1270043200	GMD-16M	DC72V	3W	2a2b	4P	
1270043300	GMD-16M	DC110V	3W	2a2b	4P	
1270043400	GMD-16M	DC120V	3W	2a2b	4P	
1270043500	GMD-16M	DC125V	3W	2a2b	4P	
1270043600	GMD-16M	DC220V	3W	2a2b	4P	
1270043700	GMD-16M	DC240V	3W	2a2b	4P	
1270043800	GMD-16M	DC250V	3W	2a2b	4P	
1270034100	GMD-16M	DC12V	3W	4a	4P	
1270034200	GMD-16M	DC20V	3W	4a	4P	
1270034400	GMD-16M	DC36V	3W	4a	4P	
1270034500	GMD-16M	DC42V	3W	4a	4P	
1270034600	GMD-16M	DC48V	3W	4a	4P	
1270034700	GMD-16M	DC60V	3W	4a	4P	
1270034800	GMD-16M	DC72V	3W	4a	4P	
1270034900	GMD-16M	DC110V	3W	4a	4P	
1270035000	GMD-16M	DC120V	3W	4a	4P	
1270035100	GMD-16M	DC125V	3W	4a	4P	
1270035200	GMD-16M	DC220V	3W	4a	4P	
1270035300	GMD-16M	DC240V	3W	4a	4P	
1270035400	GMD-16M	DC250V	3W	4a	4P	

# Catalogue numbers index

## GMR

### Contactor relays, AC operating

Catalogue No.	Model	Rated Voltage (V)	Hz	No. of Contact	Page No.
1273003700	GMR-4M	AC24V	50/60Hz	2a2b	1
1273000700	GMR-4M	AC110V	50/60Hz	3a1b	1
1273001100	GMR-4M	AC110V	50/60Hz	4a	1
1273003200	GMR-4M	AC110V	50/60Hz	2a2b	1
1273001700	GMR-4M	AC220V	50/60Hz	4a	1
1273001800	GMR-4M	AC220V	50/60Hz	3a1b	1
1273001900	GMR-4M	AC220V	50/60Hz	2a2b	1
1273005700	GMR-4M	AC230V	50/60Hz	2a2b	1
1273001200	GMR-4M	AC240V	50/60Hz	4b	1
1273001600	GMR-4M	AC240V	50/60Hz	2a2b	1
1273005500	GMR-4M	AC240V	50/60Hz	4a	1
1273000800	GMR-6M	AC110V	50/60Hz	6a	1
1273001300	GMR-6M	AC240V	50/60Hz	2a4b	1
1273000900	GMR-8M	AC110V	50/60Hz	8a	1
1273001000	GMR-8M	AC110V	50/60Hz	6a2b	1
1273001400	GMR-8M	AC240V	50/60Hz	4a4b	1

### Contactor relays, DC operating

Catalogue	Model	Rated	No. of	Coil	Page
1274000500	GMR-4MD	DC24V	2a2b	3W	1
1274003000	GMR-4MD	DC60V	2a2b	3W	1
1274003300	GMR-4MD	DC110V	2a2b	3W	1
1274006600	GMR-4MD	DC125V	2a2b	3W	1
1274000300	GMR-4MD	DC24V	3a1b	3W	1
1274003200	GMR-4MD	DC110V	3a1b	3W	1
1274000100	GMR-4MD	DC24V	4a	3W	1
1274001100	GMR-4MD	DC48V	4a	1.2W	1
1274001200	GMR-4MD	DC110V	4a	1.2W	1
1274003100	GMR-4MD	DC110V	4a	3W	1
1274006700	GMR-4MD	DC125V	4a	3W	1
1274003500	GMR-4MD	DC110V	4b	3W	1



# Catalogue numbers index

## GTH

### Thermal overload relays, non-differential type, 3H

Catalogue No.	Model	Rated operational current (A)	No. of bimetal element	Page No.
1271001500	GTH-12M	0.14A	3H	FI
1271001600	GTH-12M	0.21A	3H	FI
1271001700	GTH-12M	0.33A	3H	FI
1271001800	GTH-12M	0.52A	3H	FI
1271001900	GTH-12M	0.82A	3H	FI
1271002000	GTH-12M	1.3A	3H	FI
1271002100	GTH-12M	2.1A	3H	FI
1271002200	GTH-12M	3.3A	3H	FI
1271002300	GTH-12M	5A	3H	FI
1271002400	GTH-12M	6.5A	3H	FI
1271002500	GTH-12M	7.5A	3H	FI
1271002600	GTH-12M	8.5A	3H	FI
1271002700	GTH-12M	11A	3H	FI
1271002800	GTH-12M	14A	3H	FI
1271005700	GTH-12MH	0.14A	3H	FI
1271005800	GTH-12MH	0.21A	3H	FI
1271005900	GTH-12MH	0.33A	3H	FI
1271006000	GTH-12MH	0.52A	3H	FI
1271006100	GTH-12MH	0.82A	3H	FI
1271006200	GTH-12MH	1.3A	3H	FI
1271006300	GTH-12MH	2.1A	3H	FI
1271006400	GTH-12MH	3.3A	3H	FI
1271006500	GTH-12MH	5A	3H	FI
1271006600	GTH-12MH	6.5A	3H	FI
1271006700	GTH-12MH	7.5A	3H	FI
1271006800	GTH-12MH	8.5A	3H	FI
1271006900	GTH-12MH	11A	3H	FI
1271007000	GTH-12MH	14A	3H	FI

# Catalogue numbers index

## GTH

### Thermal overload relays, non-differential type, 2H

Catalogue No.	Model	Rated operational current (A)	No. of bimetal element	Page No.
1271000100	GTH-12M	0.14A	2H	XXXXXXXXXX
1271000200	GTH-12M	0.21A	2H	XXXXXXXXXX
1271000300	GTH-12M	0.33A	2H	XXXXXXXXXX
1271000400	GTH-12M	0.52A	2H	XXXXXXXXXX
1271000500	GTH-12M	0.82A	2H	XXXXXXXXXX
1271000600	GTH-12M	1.3A	2H	XXXXXXXXXX
1271000700	GTH-12M	2.1A	2H	XXXXXXXXXX
1271000800	GTH-12M	3.3A	2H	XXXXXXXXXX
1271000900	GTH-12M	5A	2H	XXXXXXXXXX
1271001000	GTH-12M	6.5A	2H	XXXXXXXXXX
1271001100	GTH-12M	7.5A	2H	XXXXXXXXXX
1271001200	GTH-12M	8.5A	2H	XXXXXXXXXX
1271001300	GTH-12M	11A	2H	XXXXXXXXXX
1271001400	GTH-12M	14A	2H	XXXXXXXXXX
1271004300	GTH-12MH	0.14A	2H	XXXXXXXXXX
1271004400	GTH-12MH	0.21A	2H	XXXXXXXXXX
1271004500	GTH-12MH	0.33A	2H	XXXXXXXXXX
1271004600	GTH-12MH	0.52A	2H	XXXXXXXXXX
1271004700	GTH-12MH	0.82A	2H	XXXXXXXXXX
1271004800	GTH-12MH	1.3A	2H	XXXXXXXXXX
1271004900	GTH-12MH	2.1A	2H	XXXXXXXXXX
1271005000	GTH-12MH	3.3A	2H	XXXXXXXXXX
1271005100	GTH-12MH	5A	2H	XXXXXXXXXX
1271005200	GTH-12MH	6.5A	2H	XXXXXXXXXX
1271005300	GTH-12MH	7.5A	2H	XXXXXXXXXX
1271005400	GTH-12MH	8.5A	2H	XXXXXXXXXX
1271005500	GTH-12MH	11A	2H	XXXXXXXXXX
1271005600	GTH-12MH	14A	2H	XXXXXXXXXX

# Catalogue numbers index

## Accessories



Catalogue No.	Model	Detail specification		Applicable	Page No.
83361621008	AUX CONTACT UNIT	AU-2M	2NO	GMC-6M,9M,12M,16M	20
83361621016	AUX CONTACT UNIT	AU-2MF	2NO	GMC-6MF,9MF,12MF,16MF	20
83361621042	AUX CONTACT UNIT	AU-2MC	2NO	GMC-6MC,9MC,12MC,16MC	20
83361621010	AUX CONTACT UNIT	AU-2M	2NC	GMC-6M,9M,12M,16M	20
83361621018	AUX CONTACT UNIT	AU-2MF	2NC	GMC-6MF,9MF,12MF,16MF	20
83361621044	AUX CONTACT UNIT	AU-2MC	2NC	GMC-6MC,9MC,12MC,16MC	20
83361621009	AUX CONTACT UNIT	AU-2M	1NO1NC	GMC-6M,9M,12M,16M	20
83361621017	AUX CONTACT UNIT	AU-2MF	1NO1NC	GMC-6MF,9MF,12MF,16MF	20
83361621043	AUX CONTACT UNIT	AU-2MC	1NO1NC	GMC-6MC,9MC,12MC,16MC	20
83361621003	AUX CONTACT UNIT	AU-4M	4NO	GMC-6M,9M,12M,16M	20
83361621011	AUX CONTACT UNIT	AU-4MF	4NO	GMC-6MF,9MF,12MF,16MF	20
83361621037	AUX CONTACT UNIT	AU-4MC	4NO	GMC-6MC,9MC,12MC,16MC	20
83361621004	AUX CONTACT UNIT	AU-4M	3NO1NC	GMC-6M,9M,12M,16M	20
83361621012	AUX CONTACT UNIT	AU-4MF	3NO1NC	GMC-6MF,9MF,12MF,16MF	20
83361621038	AUX CONTACT UNIT	AU-4MC	3NO1NC	GMC-6MC,9MC,12MC,16MC	20
83361621005	AUX CONTACT UNIT	AU-4M	2NO2NC	GMC-6M,9M,12M,16M	20
83361621013	AUX CONTACT UNIT	AU-4MF	2NO2NC	GMC-6MF,9MF,12MF,16MF	20
83361621039	AUX CONTACT UNIT	AU-4MC	2NO2NC	GMC-6MC,9MC,12MC,16MC	20
83361621006	AUX CONTACT UNIT	AU-4M	1NO3NC	GMC-6M,9M,12M,16M	20
83361621014	AUX CONTACT UNIT	AU-4MF	1NO3NC	GMC-6MF,9MF,12MF,16MF	20
83361621040	AUX CONTACT UNIT	AU-4MC	1NO3NC	GMC-6MC,9MC,12MC,16MC	20
83361621007	AUX CONTACT UNIT	AU-4M	4NC	GMC-6M,9M,12M,16M	20
83361621015	AUX CONTACT UNIT	AU-4MF	4NC	GMC-6MF,9MF,12MF,16MF	20
83361621041	AUX CONTACT UNIT	AU-4MC	4NC	GMC-6MC,9MC,12MC,16MC	20

# Catalogue numbers index

## Spare Coil

Catalogue No.	Model	Coil Voltage	Hz	Applicable	Pole	Page No.
77121621501	COIL	AC24V	50/60Hz	GMC-6~16M	3P	
77121621561	COIL	AC32V	50/60Hz	GMC-6~16M	3P	
77121621502	COIL	AC36V	50/60Hz	GMC-6~16M	3P	
77121621562	COIL	AC38V	50/60Hz	GMC-6~16M	3P	
77121621503	COIL	AC42V	50/60Hz	GMC-6~16M	3P	
77121621504	COIL	AC48V	50/60Hz	GMC-6~16M	3P	
77121621563	COIL	AC60V	50/60Hz	GMC-6~16M	3P	
77121621522	COIL	AC100V	50/60Hz	GMC-6~16M	3P	
77121621505	COIL	AC110V	50/60Hz	GMC-6~16M	3P	
77121621506	COIL	AC115V	50/60Hz	GMC-6~16M	3P	
77121621507	COIL	AC120V	50/60Hz	GMC-6~16M	3P	
77121621508	COIL	AC127V	50/60Hz	GMC-6~16M	3P	
77121621564	COIL	AC180V	50/60Hz	GMC-6~16M	3P	
77121621523	COIL	AC200V	50/60Hz	GMC-6~16M	3P	
77121621510	COIL	AC220V	50/60Hz	GMC-6~16M	3P	
77121621526	COIL	AC230V	50/60Hz	GMC-6~16M	3P	
77121621524	COIL	AC240V	50/60Hz	GMC-6~16M	3P	
77121621513	COIL	AC256V	50/60Hz	GMC-6~16M	3P	
77121621514	COIL	AC277V	50/60Hz	GMC-6~16M	3P	
77121621565	COIL	AC345V	50/60Hz	GMC-6~16M	3P	
77121621521	COIL	AC380V	50/60Hz	GMC-6~16M	3P	
77121621516	COIL	AC400V	50/60Hz	GMC-6~16M	3P	
77121621525	COIL	AC415V	50/60Hz	GMC-6~16M	3P	
77121621517	COIL	AC440V	50/60Hz	GMC-6~16M	3P	
77121621518	COIL	AC480V	50/60Hz	GMC-6~16M	3P	
77121621519	COIL	AC500V	50/60Hz	GMC-6~16M	3P	
77121621520	COIL	AC550V	50/60Hz	GMC-6~16M	3P	
77121621021	COIL	AC380V	50/60Hz	GMC-6~16M	3P	

## Leader in Electrics & Automation



### Safety Instructions

- For your safety, please read user's manual thoroughly before operating.
- Contact the nearest authorized service facility for examination, repair, or adjustment.
- Please contact qualified service technician when you need maintenance. Do not disassemble or repair by yourself!
- Any maintenance and inspection shall be performed by the personnel having expertise concerned.

LS Industrial Systems Co., Ltd.

[www.lsis.biz](http://www.lsis.biz)

#### ■ HEAD OFFICE

Yonsei Jaedan Severance Bldg., 84-11, Namdaemunno 5ga,  
Jung-gu, Seoul, 100-753, Korea

Tel. (82-2)2034-4870

Fax. (82-2)2034-4713

#### ■ CHEONG-JU PLANT

Cheong-Ju Plant #1, Song Jung Dong, Hung Duk Ku,  
Cheong Ju, 361-720, Korea

#### ■ Global Network

- **LS Industrial Systems Tokyo Office** >> Tokyo, Japan  
Address: 16F, Higashi-Kan, Akasaka Twin Towers 17-22, 2-chome, Akasaka, Minato-ku Tokyo 107-8470, Japan  
Tel: 81-3-3582-9128 Fax: 81-3-3582-0065 e-mail: dongjins@lsis.biz
- **LS Industrial Systems Dubai Rep. Office** >> Dubai, U.A.E  
Address: P.O.Box-114216, API World Tower, 303B, Sheikh Zayed road, Dubai, UAE.  
Tel: 971-4-3328289 Fax: 971-4-3329444 e-mail: hwyim@lsis.biz
- **LS-VINA Industrial Systems Co., Ltd** >> Hanoi, Vietnam  
Address: LSIS VINA Congty che tao may dien Viet-Hung Dong Anh Hanoi, Vietnam  
Tel: 84-4-882-0222 Fax: 84-4-882-0220 e-mail: srjo@hn.vnn.vn
- **LS Industrial Systems Hanoi Office** >> Hanoi, Vietnam  
Address: Room C21, 5Th Floor, Horison Hotel, 40 Cat Linh , Hanoi, Vietnam  
Tel: 84-4-736-6270/1 Fax: 84-4-736-6269
- **Dalian LS Industrial Systems Co., Ltd.** >> Dalian, China  
Address: No. 15 Liaohexi 3 Road, Economic and Technical Development zone, Dalian, China  
Tel: 86-411-8273-7777 Fax: 86-411-8730-7560 e-mail: lixk@lgs.com.cn
- **LS Industrial Systems (Wuxi) Co., Ltd.** >> Wuxi, China  
Address: 102-A National High&New Tech Industrial Development Area, Wuxi, Jiangsu, China  
Tel: 86-510-534-6666 Fax: 86-510-522-4078 e-mail: Xuhg@lgs.com.cn
- **LS Industrial Systems International Trading (Shanghai) Co., Ltd** >> Shanghai, China  
Address: Room E-G, 12<sup>th</sup> Floor Huamin Empire Plaza, No.726, West Yan'an Road Shanghai 200050, P.R. China  
Tel: 86-21-6278-4291 Fax: 86-21-6278-4372 e-mail: xuhg@lgs.com.cn
- **LS Industrial Systems Shanghai Office** >> Shanghai, China  
Address: Room 1705-1707, 17<sup>th</sup> Floor Xinda Commercial Building, No.322, Xian Xia Road Shanghai 200336, China  
Tel: 86-21-6208-7610 Fax: 86-21-6278-4292
- **LS Industrial Systems Beijing Office** >> Beijing, China  
Address: B-Tower 17 Fl. Beijing Global Trade Center B/D. No. 36, BeisanHuanDong-Lu, DongCheong-District, Beijing 100013, P.R. China  
Tel: 86-10-6462-3254 Fax: 86-10-6462-3236 e-mail: linsz@lgs.com.cn
- **LS Industrial Systems Guangzhou Office** >> Guangzhou, China  
Address: Room 1403, 14F, New Poly Tower, 2 Zhongshan Liu Road, Guangzhou, China  
Tel: 86-20-8326-6754 Fax: 86-20-8326-6287 e-mail: zhangch@lgs.com.cn
- **LS Industrial Systems Chengdu Office** >> Chengdu, China  
Address: 12Floor, Guodong Building, No52 Jindun Road Chengdu, 610041, P.R. China  
Tel: 86-28-8612-9151 Fax: 86-28-8612-9236 e-mail: hongkonk@vip.163.com
- **LS Industrial Systems Qingdao Office** >> Qingdao, China  
Address: 7B40,Haixin Guangchang Shenye Building B, No. 9, Shangdong Road Qingdao, China  
Tel: 86-532-580-2539 Fax: 86-532-583-3793 e-mail: bellkuk@hanmail.net

Specifications in this catalog are subject to change without notice due to continuous product development and improvement.